



**Specialists in the  
manufacture and  
distribution of engine  
cylinder liners.**

Part No	I/D		O/D		Length		FL O/D		FL Depth	
	MM	Inch	MM	Inch	MM	Inch	MM	Inch	MM	Inch
L 1475	49.35	1.943	53.03	2.088	87.86	3.459	54.00	2.126	5.10	0.200
WCL 1A	50.17	1.975	53.98	2.125	177.80	7.000	-	-	-	-
L 5635	53.75	2.116	59.20	2.331	170.00	6.693	63.50	2.500	4.50	0.177
WCL 1BFL	55.00	2.165	65.00	2.559	228.60	9.000	70.00	2.756	10.00	0.394
WCL 128	55.88	2.200	58.98	2.322	122.25	4.813	-	-	-	-
WCL 2	57.00	2.244	61.00	2.401	203.20	8.000	-	-	-	-
WCL 3	58.00	2.283	62.00	2.441	203.20	8.000	-	-	-	-
WCL 4	60.00	2.362	64.00	2.520	203.20	8.000	-	-	-	-
WCL 5	62.00	2.441	66.00	2.598	203.20	8.000	-	-	-	-
WCL 5BFL	62.00	2.441	72.00	2.835	228.60	9.000	80.00	3.150	10.00	0.394
WCL 5A	62.50	2.461	67.00	2.637	203.20	8.000	-	-	-	-
L 1249	63.50	2.500	66.68	2.625	179.39	7.063	69.85	2.750	3.18	0.125
WCL 8	64.00	2.520	68.00	2.677	203.20	8.000	-	-	-	-
WCL 8A	64.57	2.542	67.10	2.642	134.14	5.281	-	-	-	-
WCL 9	65.00	2.559	69.00	2.717	203.20	8.000	-	-	-	-
WCL 11	65.00	2.559	69.85	2.750	158.75	6.250	-	-	-	-
WCL 11AFL	65.00	2.559	76.05	2.994	228.60	9.000	86.00	3.386	10.00	0.394
WCL 9A	65.50	2.579	69.11	2.721	152.40	6.000	-	-	-	-
L 2147	66.00	2.598	69.85	2.750	144.46	5.687	-	-	-	-
L 3393	66.00	2.598	70.05	2.758	158.00	6.220	73.00	2.874	4.00	0.157
WCL 10	66.00	2.598	71.00	2.795	203.20	8.000	-	-	-	-
WCL 12	66.68	2.625	73.03	2.875	203.20	8.000	-	-	-	-
WCL 12AFL	66.75	2.628	74.00	2.913	144.78	5.700	76.00	2.992	7.00	0.276
WCL 12B	68.50	2.697	72.00	2.835	203.20	8.000	-	-	-	-
WCL 13	69.00	2.717	73.00	2.874	203.20	8.000	-	-	-	-
L 4989	69.00	2.717	73.00	2.874	144.78	5.700	76.50	3.012	7.00	0.276
WCL 13BFL	69.00	2.717	73.00	2.874	180.00	7.087	76.50	3.012	4.00	0.157
WCL 13C	69.00	2.717	73.50	2.894	203.20	8.000	-	-	-	-
WCL 13DFL	69.00	2.717	79.00	3.110	228.60	9.000	83.00	3.268	10.00	0.394
WCL 14	69.85	2.750	76.20	3.000	203.20	8.000	-	-	-	-
L 2148	69.99	2.756	73.08	2.877	149.23	5.875	-	-	-	-
L 5470	70.00	2.756	73.50	2.894	177.80	7.000	76.00	2.992	4.00	0.157
WCL 3598	70.61	2.780	73.09	2.877	141.28	5.560	-	-	-	-
WCL 13A	70.61	2.780	74.29	2.924	141.28	5.560	-	-	-	-
L 4513	71.00	2.795	77.00	3.034	120.00	4.724	85.00	3.346	5.00	0.197
WCL 14A	72.00	2.835	75.00	2.953	152.40	6.000	-	-	-	-
WCL 15	72.00	2.835	77.00	3.031	203.20	8.000	-	-	-	-
WCL 16	73.00	2.874	76.66	3.018	152.40	6.000	-	-	-	-
L 1079	73.03	2.875	76.71	3.020	163.51	6.438	-	-	-	-
WCL 16A	73.03	2.875	77.77	3.062	203.20	8.000	-	-	-	-
WCL 16B	73.03	2.875	79.38	3.125	203.20	8.000	-	-	-	-
WCL 18	74.00	2.913	78.00	3.071	203.20	8.000	-	-	-	-
WCL 16CFL	74.00	2.913	84.00	3.307	228.60	9.000	94.00	3.700	10.00	0.394
WCL 18BFL	75.00	2.953	78.65	3.097	204.00	8.030	81.66	3.215	3.25	0.128
WCL 19	75.00	2.953	79.93	3.147	152.40	6.000	-	-	-	-

## Cylinder liners for Modern, Classic, Historic, Vintage, Veteran Car and Motorcycle engines

For all other cylinder liner requirements then please contact us

Part No	I/D		O/D		Length		FL O/D		FL Depth	
	MM	Inch	MM	Inch	MM	Inch	MM	Inch	MM	Inch
WCL 19A	76.20	3.000	80.95	3.187	203.20	8.000	-	-	-	-
WCL 19B	76.20	3.000	82.55	3.250	203.20	8.000	-	-	-	-
WCL 20	77.00	3.031	81.05	3.191	203.20	8.000	-	-	-	-
WCL 20FL	77.00	3.031	86.00	3.386	228.60	9.000	94.00	3.700	5.00	0.197
WCL 20B	79.38	3.125	84.13	3.312	203.20	8.000	-	-	-	-
WCL 20D	79.38	3.125	85.80	3.378	234.95	9.250	-	-	-	-
WCL 21	79.50	3.129	82.97	3.266	171.45	6.750	-	-	-	-
WCL 21A	80.00	3.150	85.00	3.346	203.20	8.000	-	-	-	-
WCL 22	80.26	3.160	82.93	3.265	153.92	6.060	-	-	-	-
WCL 22A	80.95	3.187	84.21	3.315	150.36	5.919	-	-	-	-
L 1570	80.95	3.187	84.21	3.315	150.36	5.919	87.24	3.435	4.89	0.193
WCL 22B	80.98	3.188	87.30	3.437	203.20	8.000	-	-	-	-
L 1363	82.55	3.250	85.77	3.377	231.00	9.094	88.90	3.500	3.77	0.149
WCL 22EFL	82.55	3.250	85.79	3.378	140.34	5.525	87.24	3.435	3.30	0.130
WCL 23	82.55	3.250	87.63	3.450	203.20	8.000	-	-	-	-
WCL 23A	82.55	3.250	88.90	3.500	228.60	9.000	-	-	-	-
WCL 24	83.00	3.268	86.23	3.394	177.24	6.980	-	-	-	-
WCL 24AFL	83.00	3.268	93.00	3.661	228.60	9.000	103.00	4.055	10.00	0.394
WCL 25	83.50	3.287	88.00	3.464	171.45	6.750	-	-	-	-
WCL 24BFL	84.00	3.307	100.00	3.937	228.60	9.000	110.00	4.331	10.00	0.394
WCL 25EFL	84.12	3.312	89.79	3.535	187.96	7.400	94.28	3.712	11.19	0.441
WCL 25F	84.44	3.324	87.33	3.438	152.27	5.995	-	-	-	-
WCL 25A	85.00	3.346	89.00	3.504	228.60	9.000	-	-	-	-
WCL 25B	85.00	3.346	90.00	3.543	228.60	9.000	-	-	-	-
WCL 25C	85.73	3.375	90.47	3.562	228.60	9.000	-	-	-	-
WCL 25D	85.73	3.375	92.08	3.625	228.60	9.000	-	-	-	-
WCL 26	86.00	3.386	91.00	3.583	228.60	9.000	-	-	-	-
WCL 26AFL	86.50	3.406	90.07	3.546	203.20	8.000	91.92	3.619	4.80	0.189
WCL 27	87.00	3.425	90.55	3.565	177.80	7.000	-	-	-	-
WCL 27BFL	87.00	3.425	91.36	3.597	177.80	7.000	94.36	3.715	4.83	0.190
L 5324	87.00	3.425	91.87	3.617	177.80	7.000	94.87	3.735	5.34	0.210
WCL 27A	87.40	3.441	91.37	3.597	207.10	8.154	-	-	-	-
WCL 28B	87.50	3.445	92.06	3.624	172.01	6.772	-	-	-	-
WCL 28DFL	88.10	3.468	93.13	3.667	228.60	9.000	97.03	3.820	3.05	0.120
WCL 27EFL	88.40	3.480	91.55	3.604	156.50	6.161	96.51	3.780	4.74	0.187
WCL 27C	88.86	3.499	93.71	3.690	141.73	5.580	-	-	-	-
L 1203	88.86	3.499	94.22	3.709	141.73	5.580	100.94	3.974	3.76	0.148
L 4666	88.90	3.500	92.15	3.628	203.20	8.000	-	-	-	-
WCL 28A	88.90	3.500	92.46	3.640	203.20	8.000	-	-	-	-
WCL 29A	88.90	3.500	95.25	3.750	228.60	9.000	-	-	-	-
WCL 30FL	88.90	3.500	96.87	3.814	191.36	7.534	101.02	3.977	3.81	0.150
WCL 32	88.90	3.500	97.66	3.845	228.60	9.000	-	-	-	-
WCL 32CFL	90.00	3.543	100.00	3.937	254.00	10.000	107.00	4.213	10.00	0.394
WCL 32D	90.40	3.559	94.18	3.708	165.00	6.496	-	-	-	-
WCL 32A	90.47	3.562	94.50	3.721	191.36	7.534	-	-	-	-

The bore size shown has -0.50mm /-1.00mm boring allowance for final finishing to stated bore size.

Part No	I/D		O/D		Length		FL O/D		FL Depth	
	MM	Inch	MM	Inch	MM	Inch	MM	Inch	MM	Inch
WCL 33	90.47	3.562	95.58	3.763	191.36	7.534	-	-	-	-
WCL 34	92.00	3.622	95.63	3.765	175.26	6.900	-	-	-	-
WCL 34BFL	92.00	3.622	95.63	3.765	175.26	6.900	100.50	3.957	6.40	0.252
L 5325	92.00	3.622	96.14	3.785	175.26	6.900	101.00	3.976	6.90	0.272
WCL 34A	92.08	3.625	98.43	3.875	228.60	9.000	-	-	-	-
WCL 34GFL	92.50	3.642	96.92	3.816	191.10	7.524	101.00	3.976	3.80	0.150
WCL 36GFL	94.00	3.700	99.06	3.900	135.64	5.340	105.23	4.143	5.33	0.210
WCL 36A	95.00	3.740	99.00	3.897	228.60	9.000	-	-	-	-
L 3424	95.25	3.750	99.39	3.913	269.88	10.625	-	-	-	-
WCL 3000	95.25	3.750	100.09	3.941	215.90	8.500	-	-	-	-
WCL 255FL	95.50	3.760	98.50	3.878	190.44	7.498	103.50	4.075	3.80	0.150
WCL 36EFL	95.50	3.760	99.30	3.909	212.00	8.346	102.35	4.030	3.38	0.133
WCL 36JFL	96.00	3.779	99.06	3.900	160.00	6.299	104.95	4.132	5.22	0.206
L 1305	96.00	3.779	99.50	3.917	160.00	6.299	104.95	4.132	6.00	0.236
L 3419	96.00	3.779	101.20	3.984	128.00	5.039	106.65	4.199	5.00	0.197
WCL 3601	96.50	3.799	100.50	3.957	222.50	8.759	103.43	4.072	5.20	0.205
WCL 36CFL	97.00	3.820	103.10	4.059	215.00	8.465	105.93	4.170	4.53	0.178
WCL 36HFL	97.00	3.820	107.00	4.213	254.00	10.000	112.00	4.409	10.00	0.394
L 2871	98.00	3.858	103.25	4.065	195.00	7.677	109.00	4.291	7.00	0.276
WCL 36BFL	98.48	3.877	103.26	4.065	228.98	9.015	106.45	4.191	3.86	0.152
WCL 743	98.48	3.877	103.26	4.066	228.98	9.015	-	-	-	-
WCL 36DFL	98.48	3.877	104.20	4.103	226.44	8.915	107.37	4.227	3.81	0.150
L 3420	99.00	3.898	104.20	4.103	128.00	4.992	107.40	4.228	5.00	0.197
WCL 37B	99.25	3.907	104.75	4.124	200.00	7.874	-	-	-	-
L 1485	100.00	3.937	105.50	4.154	227.28	8.948	109.60	4.315	5.00	0.197
WCL 37	100.00	3.937	109.60	4.315	241.30	9.500	-	-	-	-
WCL 38	101.60	4.000	104.85	4.128	215.90	8.500	-	-	-	-
WCL 37C	101.60	4.000	106.40	4.189	260.00	10.236	-	-	-	-
WCL 38C	101.60	4.000	107.95	4.250	298.45	11.750	-	-	-	-
L 4947	104.00	4.094	107.47	4.231	198.75	7.825	109.75	4.321	5.08	0.200
WCL 38DFL	104.00	4.094	114.00	4.488	279.40	11.000	119.00	4.685	10.00	0.394
WCL 39FL	104.20	4.102	109.00	4.291	240.00	9.449	117.06	4.609	8.08	0.318
WCL 39E	104.65	4.120	108.86	4.286	218.69	8.610	-	-	-	-
WCL 39DFL	104.77	4.125	109.37	4.306	219.56	8.644	112.83	4.442	4.76	0.187
WCL 39CFL	105.50	4.154	109.95	4.329	206.00	8.110	115.00	4.528	8.05	0.317
WCL 39A	106.68	4.200	110.78	4.362	209.55	8.250	-	-	-	-
WCL 40	107.95	4.250	112.80	4.441	298.07	11.735	-	-	-	-
L 1633 FF	107.95	4.250	113.24	4.458	225.00	8.858	116.66	4.593	2.60	0.102
WCL 40BFL	111.76	4.400	117.48	4.625	241.30	9.500	120.65	4.750	6.35	0.250
WCL 40F	114.30	4.500	120.73	4.753	250.83	9.875	-	-	-	-
WCL 40A	115.89	4.563	119.63	4.710	237.99	9.370	-	-	-	-
L 4578	115.89	4.563	120.45	4.742	238.99	9.409	128.40	5.055	9.91	0.390
L 2263	127.00	5.000	133.14	5.242	289.46	11.396	-	-	-	-
L 3988	130.18	5.125	135.01	5.315	298.00	11.732	-	-	-	-
WCL 42FL	133.50	5.256	138.00	5.433	259.00	10.197	141.96	5.589	2.96	0.116



**Our customers include engine reconditioners, machine shops, rebuilders and race engine builders, as well as OE manufacturers.**

**We produce cylinder liners for engines used in motorsport, modern and classic production cars, motorcycles, agricultural and commercial applications, compressors and many more.**

Westwood customers benefit from our in-depth expertise which has been established by more than 40 years experience with engine reconditioning and is backed by our considerable data base of original literature & reference materials. With over 25,000 cylinder liners in stock, we carry an extensive range of liners by size and application.

**Westwood Cylinder Liners are offered in three main types:**

- **Comprehensive range of repair liners**
- **Specific liner applications/ manufacturers**
- **Specially manufactured cylinder liners**

#### **Repair Liners**

We keep over 195 part numbers covering bore sizes of 50.00mm-140.00mm. These are supplied in centrifugally spun cast iron.

#### **Specific Application**

Westwood stock a wide range of liners for popular engines and can be supplied by quoting the precise application. These currently include Classic and Modern engines, classic motorcycles and commercial applications. The full range of applications can be found on our website and is being updated constantly.

#### **Special Manufacture**

We can specially manufacture any type of Dry, Flanged or Wet liner with no minimum quantity. Only a drawing or sample is required to quote and so to assist this, a blank drawing for dimensioning is available as a PDF and can be downloaded from our website.

**We manufacture cylinder liners in the following materials:**

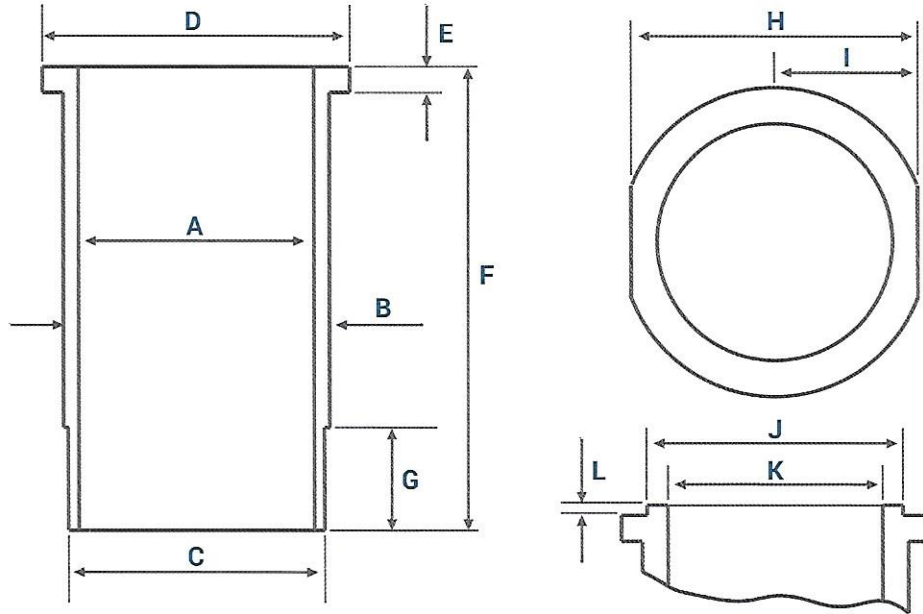
- **Standard Spun Cast Iron**  
(DIN 1691; GG30; ASTM -A48)
- **Ductile / Super Ductile**  
for racing & performance applications  
(DIN 1693; GGG70; ASTM 536-84)



Part No:

# Special Liner Enquiry / Order Form

Westwood use only



## LINER DIMENSIONS

- |                          |                             |
|--------------------------|-----------------------------|
| A Finish bore size ..... | G Spigot length .....       |
| B Outside diameter ..... | H Diameter for 2 flat ..... |
| C Spigot diameter .....  | I Diameter for 1 flat ..... |
| D Flange diameter .....  | J Fire lip diameter .....   |
| E Flange depth .....     | K Fire lip I/D .....        |
| F Overall length .....   | L Fire lip height .....     |

If you require a wet liner, then please send us a full drawing, sample or please contact us directly.

## CUSTOMER INFORMATION

Quantity required .....

Material specification: Standard spun cast iron  Ductile iron

Make ..... Model .....

Name / Company .....

Address .....

Post Code .....

Tel .....

Email .....

Signed ..... Date .....

Westwood Cylinder Liners Ltd  
 Unit 3 George Baylis Court  
 George Baylis Road  
 Droitwich, Worcestershire  
 WR9 9RB  
 United Kingdom

Scan the code to download the form

Tel: +44 (0)1905 799470  
 Fax: +44 (0)1905 796414  
 Email: sales@westwoodcylinderliners.co.uk  
 www.westwoodcylinderliners.co.uk

