

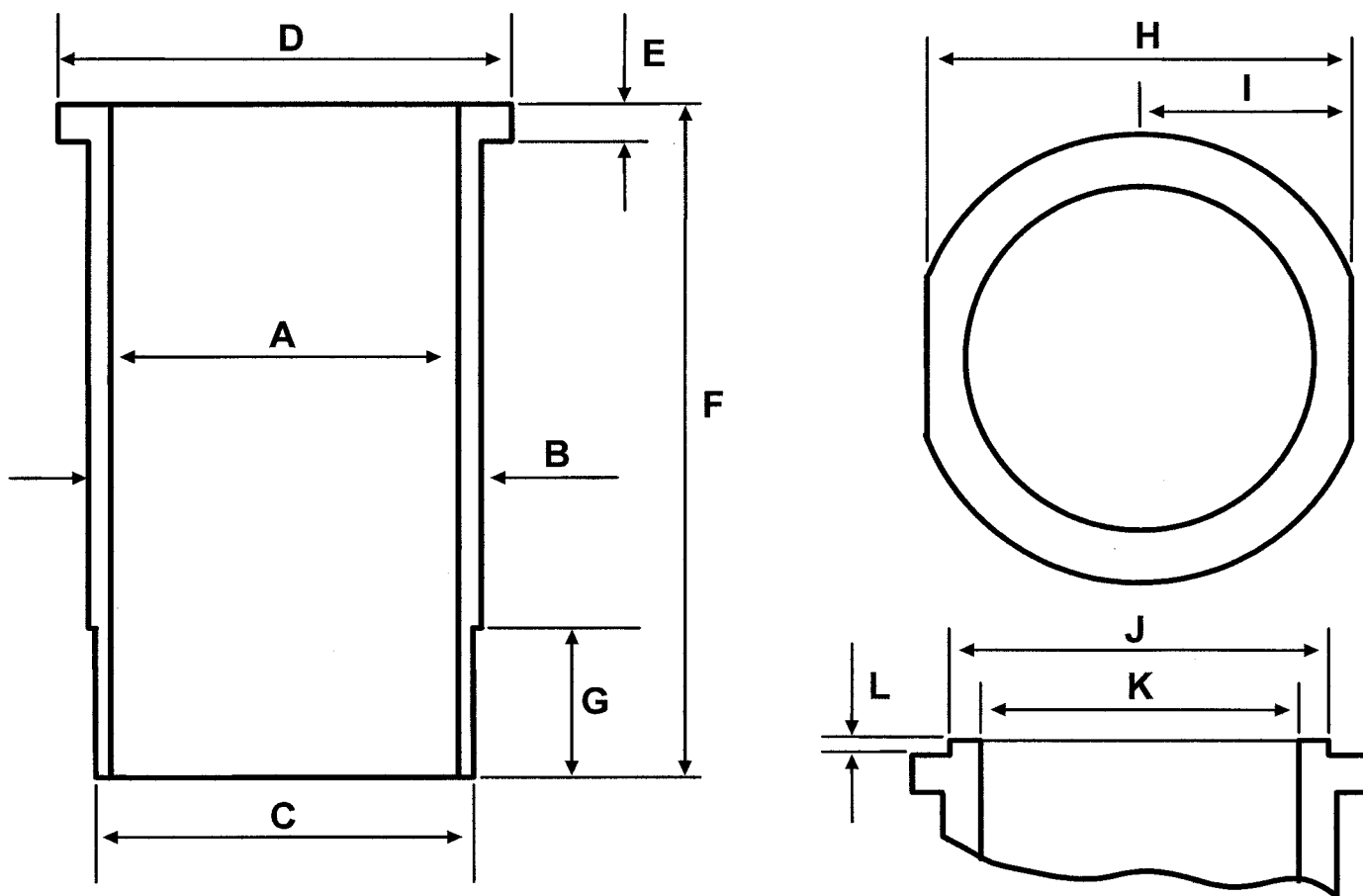
# WESTWOOD CYLINDER LINERS

Pt No :

Westwood Use Only

## Special Liner Enquiry / Order Form

Faxback on : 01905 796414



### LINER DIMENSIONS

- A : Finish Bore Size.....
- B : Outside Diameter.....
- C : Spigot Diameter.....
- D : Flange Diameter.....
- E : Flange Depth.....
- F : Overall Length.....
- G : Spigot Length.....
- H : Diameter for 2 Flat.....
- I : Diameter for 1 Flat.....
- J : Fire Lip Diameter.....
- K : Fire Lip I/D.....
- L : Fire Lip Height.....

For wet liners please send full drawing  
or contact us directly

### CUSTOMER INFORMATION

- Qty Required.....
- Make..... Model.....
- Name / Company.....
- Address.....
- .....
- ..... Post Code.....
- Tel.....
- Fax.....
- Email.....
- Signed.....
- Date.....

UNIT 3, GEORGE BAYLIS COURT, GEORGE BAYLIS RD, DROITWICH, WORCS, WR9 9RB

TEL : + 44 (0) 1905 799470 FAX :+ 44 (0)1905 796414

SALES@WESTWOODCYLINDERLINERS.CO.UK

WWW.WESTWOODCYLINDERLINERS.CO.UK