

MARADYNE[®]

MOBILE PRODUCTS

**HEATERS • BLOWERS • MOTORS
DASH MOUNT FANS • SERVICE PARTS**



Product Catalog

Volume 5

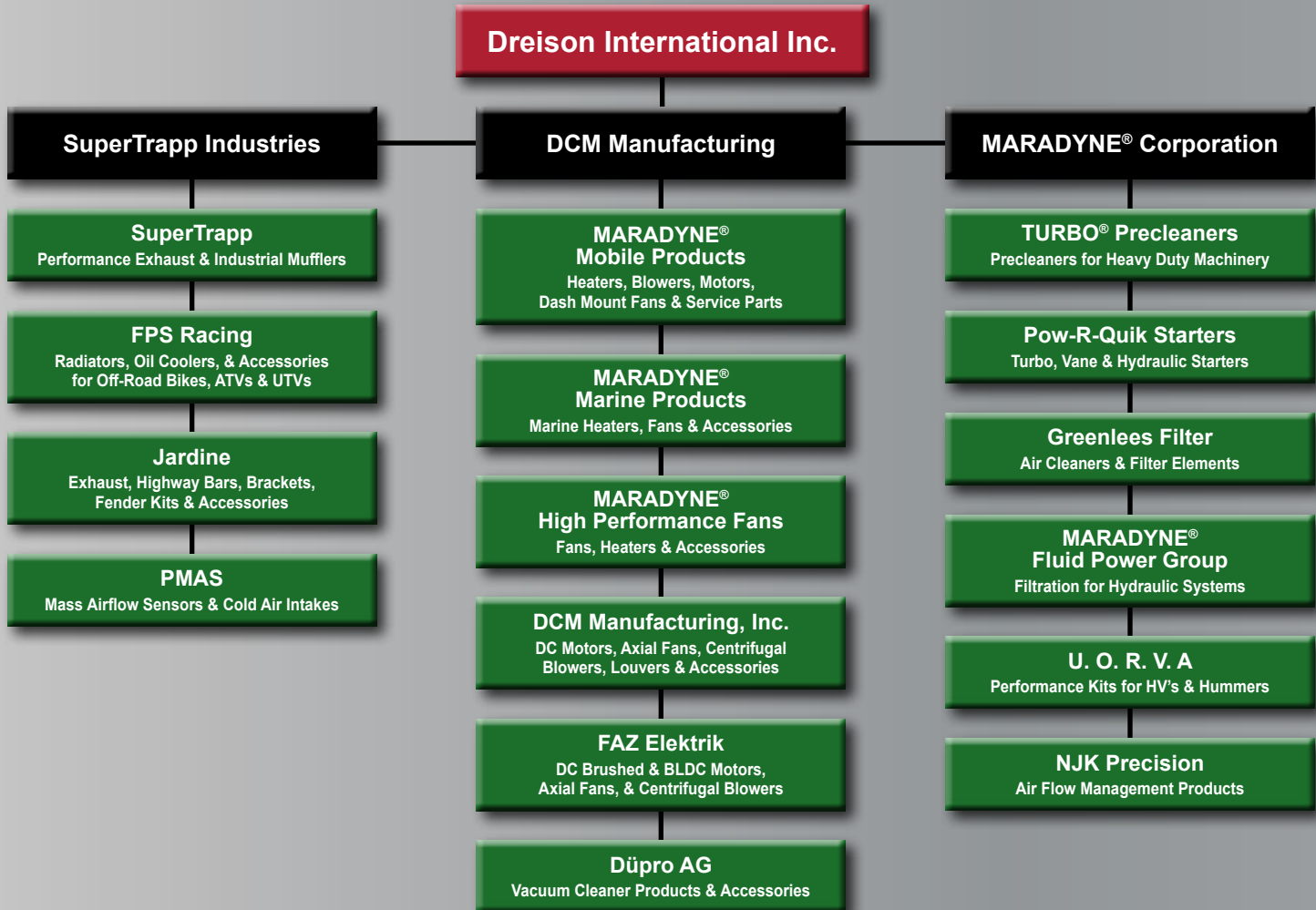
www.maradynemobile.com

WHO WE ARE . . .



MARADYNE® Mobile Products is a brand name owned by DCM Manufacturing, a wholly-owned subsidiary of Dreison International, Inc. DCM Manufacturing manufactures and sells accessories and components serving the off-road equipment, agricultural machinery, heavy-duty truck, automotive, bus, RV, marine and military markets.

DCM manufacturing facilities are located in Grand Prairie, TX; Shenzhen, China; Empalme, Mexico; Romanshorn, Switzerland and Izmir, Turkey. DCM also maintains strategic manufacturing alliances throughout China. Each international facility is supported by our team of engineers in the United States and Turkey as well as DCM employees in Asia and Mexico. All of our products are produced to meet USA design specifications, using quality components.



These companies are operated by the Berger family, which has taken an active role in their management for 40 years and has focused on providing quality products and premier service.

Dreison currently employs approximately five hundred people, and annual revenues are approximately seventy five million U.S. dollars. The philosophy to produce and distribute a quality product at a fair price, backed with service is a family tradition that ensures continual growth.

TABLE OF CONTENTS



Who we are	2
Hydronic Heaters	4 – 13
Universal Heaters for Various: <i>Cab Enclosures, Buses, Utility Vehicles, Agricultural & Construction</i>	
Electric Heaters	13
Universal Heaters for Various: <i>Cab Enclosures, Buses, Utility Vehicles, Agricultural & Construction</i>	
Heater Accessories	14 – 17
Heater Hose Kits	
Switch Kits, Switch Plates & Control Valves	
Defrost & Louver Kits & Parts	
Heater Tubes w/Louver	
Air Return Grilles, Flex Hose & Water Hose Connectors	
Axial Fan Accessories	18
Temperature Sensors	
Wire Harnesses	
Mounting Brackets	
Axial Fans	19 – 20
Pacesetter Series	
Champion Series	
Dash Mount Fan Accessories	21
Bases	
Guards	
Switches	
Blades	
Dash Mount Fans	22 – 26
Medium Duty Fans	
Heavy Duty Fans	
Soft Blade Fans	
Portable Air Pump	26
Centrifugal Blowers	27 – 32
Single Scroll Blowers	
Dual Scroll Blowers	
Resistors	32
Part # Index	33
Service Parts	34 – 35

Copyright © 2019. DCM Manufacturing, Inc., Grand Prairie, TX. All rights reserved.

HYDRONIC HEATERS



DURANGO UNDER DASH MOUNT HEATER

w/2 Louvers



FEATURES

- Two-Speed Motor w/Fan Control Switch
- Compact Design
- Mounting Plate & Fan Control Switch Included
- Front Panel with 2 Adjustable Louvers

OPTIONS

- Heater Hose Kit P/N H-64006 (not included) See Page 14



4⁵/₈" H x 7³/₄" L x 9¹/₂" D

**MOUNTING BRACKET
& FAN CONTROL SWITCH
(included)**

DURANGO HEATER SPECIFICATIONS

PART #	HEATING BTU/HR	AIR FLOW	POWER REQUIREMENTS	CASE & BLOWER MATERIAL	CORE MATERIAL	FITTINGS
HF-100012	8,500	80 CFM	1.9 Amps @ 12V	Heat Resistant ABS	Tube & Fin	5/8"

Please See Page 14 - 17 for Optional Kits, Louvers & Accessories

HAVASU UNDER DASH MOUNT HEATER

w/3 Louvers



FEATURES

- Two-Speed Motor w/Fan Control Switch
- Compact Design
- Front Panel with 3 Adjustable Louvers
- Mounting Plate & Fan Control Switch Included
- Mounting Hardware (included)

OPTIONS

- Heater Hose Kit P/N H-64006 (not included) See Page 14



4¹/₂" H x 10¹/₄" L x 7⁷/₈" D

**MOUNTING BRACKET
& FAN CONTROL SWITCH
(included)**

HAVASU HEATER SPECIFICATIONS

PART #	HEATING BTU/HR	AIR FLOW	POWER REQUIREMENTS	CASE & BLOWER MATERIAL	CORE MATERIAL	FITTINGS
HF-200012	20,000	177 CFM	6.8 Amps @ 12V	Heat Resistant ABS	Tube & Fin	5/8"

Please See Page 14 - 17 for Optional Kits, Louvers & Accessories

HYDRONIC HEATERS



SEDONA WALL/FLOOR MOUNT HEATER

w/4 Louvers



12⁵/₈" H x 7³¹/₃₂" L x 6¹¹/₁₆" D

FEATURES

- Three-Speed Motor w/Integrated Fan Control Switch
- Temperature Control w/Built-in Coolant Flow Valve
- Ergonomic Rotary Knob
- 4 Adjustable Louvers (Top & Side)
- Integrated Wall Mounting Tabs

OPTIONS

- Heater Hose Kit P/N H-64006 (not included) See Page 14



SEDONA HEATER SPECIFICATIONS

PART #	HEATING BTU/HR	AIR FLOW	POWER REQUIREMENTS	CASE & BLOWER MATERIAL	CORE MATERIAL	FITTINGS
HF-300012	15,525	80 CFM	1.9 Amps @ 12V	Heat Resistant ABS	Tube & Fin	5/8"

Please See Page 14 - 17 for Optional Kits, Louvers & Accessories

SONORA WALL/FLOOR MOUNT HEATER

w/6 Louvers



12⁵/₁₆" H x 8¹¹/₃₂" L x 5¹⁵/₁₆" D

FEATURES

- Three-Speed Motor w/Fan Control Switch
- Temperature Control w/Built-in Coolant Flow Valve
- Ergonomic Rotary Knob
- 6 Adjustable Louvers (Top & Side)

OPTIONS

- Heater Hose Kit P/N H-64006 (not included) See Page 14



SONORA HEATER SPECIFICATIONS

PART #	HEATING BTU/HR	AIR FLOW	POWER REQUIREMENTS	CASE & BLOWER MATERIAL	CORE MATERIAL	FITTINGS
HF-310012	12,000	80 CFM	1.9 Amps @ 12V	Heat Resistant ABS	Tube & Fin	5/8"

Please See Page 14 - 17 for Optional Kits, Louvers & Accessories

MARADYNE® Mobile Products

2800 112th Street, Suite 200 • Grand Prairie, TX 75050 • Ph: (800) 403-7953 • Fax: (817) 428-6687 • www.maradynemobile.com

MESA FLOOR MOUNT HEATER

Model # 4102-12V

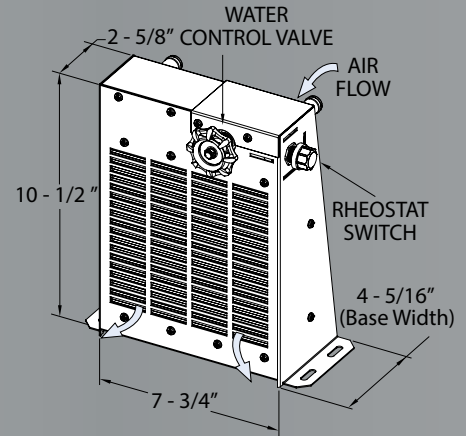


FEATURES

- Rheostat Fan Control
- Compact Design
- Powder Coated Steel Housing
- In-Line Shut-Off Valve for Temperature Control
- Fan Only Operation (full shut-off)

OPTIONS

- Heater Hose Kit P/N H-64006 (not included) See Page 14



10¹/₂" H x 7³/₄" L x 4⁵/₁₆" D

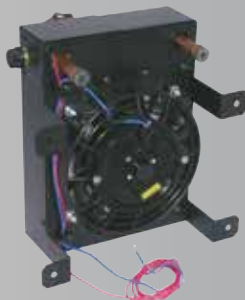
MESA HEATER SPECIFICATIONS

PART #	HEATING BTU/HR	AIR FLOW	POWER REQUIREMENTS	CASE MATERIAL	CORE MATERIAL	FAN MATERIAL	FITTINGS
H-410212	14,000	210 CFM	2.7 Amps @ 12V	16 Gauge Steel	Tube & Fin	Plastic	5/8"

Please See Page 14 - 17 for Optional Kits, Louvers & Accessories

MESA WALL MOUNT HEATER

Model # 4103-12V

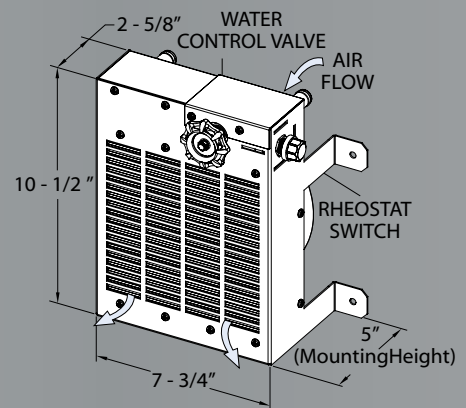


FEATURES

- Rheostat Fan Control
- Compact Design
- Powder Coated Steel Housing
- In-Line Shut-Off Valve for Temperature Control
- Fan Only Operation (full shut-off)

OPTIONS

- Heater Hose Kit P/N H-64006 (not included) See Page 14



10¹/₂" H x 7³/₄" L x 5" D

MESA HEATER SPECIFICATIONS

PART #	HEATING BTU/HR	AIR FLOW	POWER REQUIREMENTS	CASE MATERIAL	CORE MATERIAL	FAN MATERIAL	FITTINGS
H-410312	14,000	210 CFM	2.7 Amps @ 12V	16 Gauge Steel	Tube & Fin	Plastic	5/8"

Please See Page 14 - 17 for Optional Kits, Louvers & Accessories

HYDRONIC HEATERS



SANTA FE FLOOR MOUNT HEATER

Model # 4000-12V
Model # 4000-24V

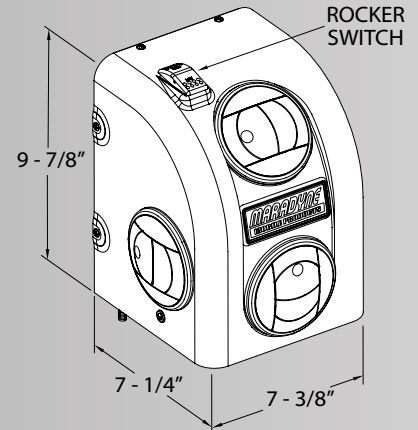


FEATURES

- Built-In Two-Speed Fan Control Switch
- Heavy-Duty, Long-Life Motor
- Compact Design
- Floor Mount
- Adjustable Airflow Louvers
- Mounting Hardware (included)

OPTIONS

- Heater Hose Kit P/N H-64006 (not included) See Page 14
- Defrost Kit P/N MFA126 or Louver Kit P/N MFA127 (not Included) See Page 16
- Wall Mounting Bracket P/N MFA132 (not Included) See Below



9⁷/₈" H x 7³/₈" L x 7¹/₄" D

SANTA FE HEATER SPECIFICATIONS

PART #	HEATING BTU/HR	AIR FLOW	POWER REQUIREMENTS	CASE MATERIAL	CORE MATERIAL	FAN MATERIAL	FITTINGS
H-400012	13,200	200 CFM	6.0 Amps @ 12V	Glass-Filled Nylon	Tube & Fin	Aluminum	5/8"
H-400024	13,200	200 CFM	3.0 Amps @ 24V	Glass-Filled Nylon	Tube & Fin	Aluminum	5/8"

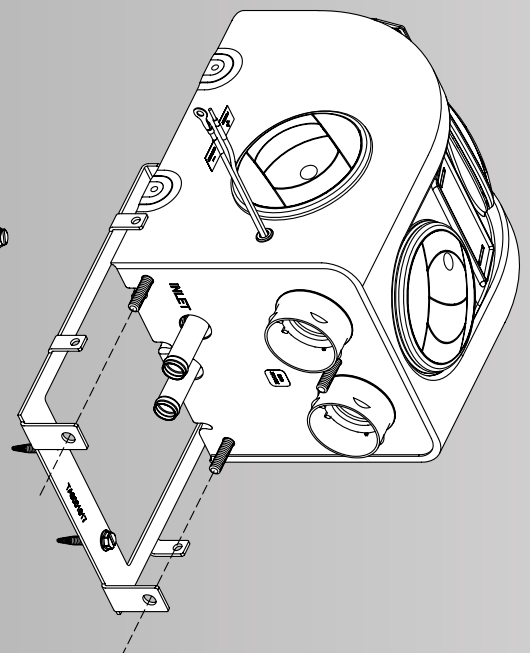
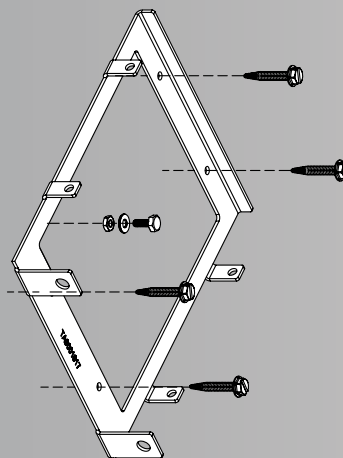
Please See Page 14 - 17 for Optional Kits, Louvers & Accessories

SANTA FE WALL MOUNTING BRACKET (Optional – Sold Separately)



MFA132

Optional Wall Mounting Bracket for Santa Fe Heater



HYDRONIC HEATERS



THE HEAT 5000 WALL/FLOOR MOUNT HEATER



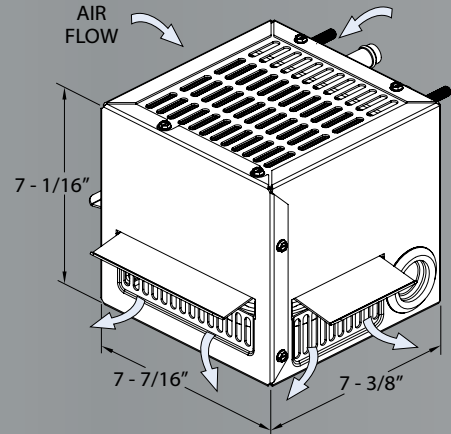
Model # 5030-12V*
Model # 5030-24V*

FEATURES

- Three-Speed Motor w/Fan Control Switch
- Heavy-Duty, Long-Life Motor
- Powder Coated Steel Housing
- Mounting Studs and Water Hose Connections at Rear
- Compact Design
- Directional Airflow Doors
- Mounting Hardware (included)

OPTIONS

- Heater Hose Kit P/N H-64006 (not included) See Page 14
- Defrost Kit P/N MFA126 or Louver Kit P/N MFA127 (not Included) See Page 16



7¹/₁₆" H x 7⁷/₁₆" L x 7³/₈" D

* Replaces Model # 5000-12V & Model # 5000-24V.



SWITCH
Three Speed Motor
(included)

THE HEAT 5000 HEATER SPECIFICATIONS

PART #	HEATING BTU/HR	AIR FLOW	POWER REQUIREMENTS	CASE MATERIAL	CORE MATERIAL	FAN MATERIAL	FITTINGS
H-503012	12,500	200 CFM	2.9 Amps @ 12V	18 Gauge Steel	Tube & Fin	Aluminum	5/8"
H-503024	12,500	200 CFM	1.5 Amps @ 24V	18 Gauge Steel	Tube & Fin	Aluminum	5/8"

Please See Page 14 - 17 for Optional Kits, Louvers & Accessories

TUCSON WALL/FLOOR MOUNT HEATER



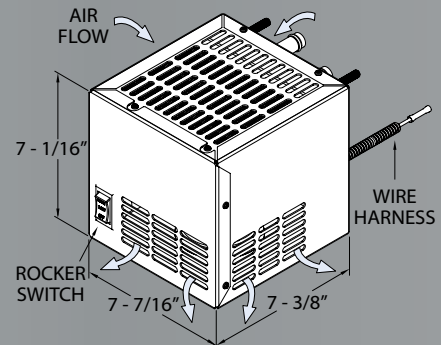
Model # 5110-12RV
Model # 5110-24RV

FEATURES

- Two-Speed Motor w/Built-In Fan Control Switch
- Heavy-Duty, Long-Life Motor
- Powder Coated Steel Housing
- Mounting Studs and Water Hose Connections at Rear
- Compact Design
- Mounting Hardware (included)

OPTIONS

- Heater Hose Kit P/N H-64006 (not included) See Page 14



7¹/₁₆" H x 7⁷/₁₆" L x 7³/₈" D

TUCSON HEATER SPECIFICATIONS

PART #	HEATING BTU/HR	AIR FLOW	POWER REQUIREMENTS	CASE MATERIAL	CORE MATERIAL	FAN MATERIAL	FITTINGS
H-511012	12,500	150 CFM	2.9 Amps @ 12V	18 Gauge Steel	Tube & Fin	Aluminum	5/8"
H-511024	12,500	150 CFM	1.5 Amps @ 24V	18 Gauge Steel	Tube & Fin	Aluminum	5/8"

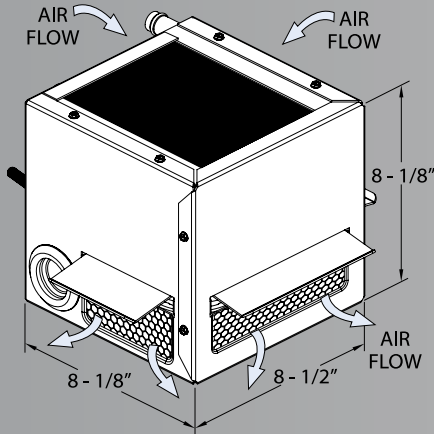
Please See Page 14 - 17 for Optional Kits, Louvers & Accessories

HYDRONIC HEATERS



PHOENIX WALL/FLOOR MOUNT HEATER

Model # 8030-12V*
Model # 8030-24V*



8-1/8" H x 8-1/8" L x 8-1/2" D

FEATURES

- Three-Speed Motor w/Fan Control Switch
- Heavy-Duty, Long-Life Motor
- Mounting Studs and Water Hose Connections at Rear
- Compact Design
- Directional Airflow Doors
- Mounting Hardware (included)

OPTIONS

- Heater Hose Kit P/N H-64006 (not included) See Page 14
- Defrost Kit P/N MFA126 or Louver Kit P/N MFA127 (not Included) See Page 15



SWITCH
Three Speed Motor
(included)



* Replaces Model # 8000-12V & Model # 8000-24V.

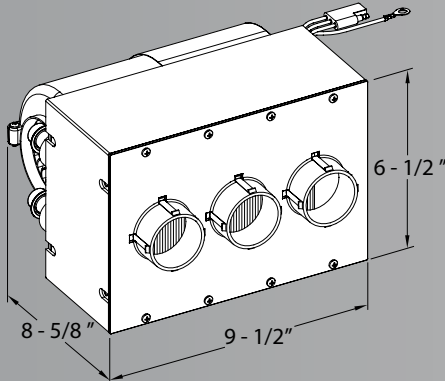
PHOENIX HEATER SPECIFICATIONS

PART #	HEATING BTU/HR	AIR FLOW	POWER REQUIREMENTS	CASE MATERIAL	CORE MATERIAL	FAN MATERIAL	FITTINGS
H-803012	25,000	250 CFM	5.0 Amps @ 12V	18 Gauge Steel	Tube & Fin	Aluminum	5/8"
H-803024	25,000	250 CFM	2.5 Amps @ 24V	18 Gauge Steel	Tube & Fin	Aluminum	5/8"

Please See Page 14 - 17 for Optional Kits, Louvers & Accessories

UNIVERSAL FLOOR/UNDER DASH MOUNT HEATER

9" Plastic Stoker™ Heater 3 – 2" Outlets



6-1/2" H x 9-1/2" L x 8-5/8" D

FEATURES

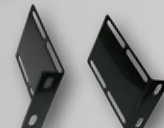
- Three-Speed Motor
- Heavy Duty Injection Molded Glass-Filled Nylon Case
- 3 – 2" Hose Adapters

INCLUDES

- Switch Kit P/N H-5670014 See Page 15

OPTIONS

- Heater Hose Kit P/N H-64006 (not included) See Page 14
- Defrost Kit P/N MFA126 or Louver Kit P/N MFA127 (not Included) See Page 16
- Heater Tube P/N TA8001549 (not Included) See Page 17



MOUNTING BRACKETS
(included)

9 IN. STOKER HEATER WITH 3 – 2 IN. OUTLETS SPECIFICATIONS

PART #	HEATING BTU/HR	AIR FLOW	POWER REQUIREMENTS	CASE & BLOWER MATERIAL	CORE MATERIAL	FITTINGS
MM-A1090006	25,000	150 CFM	9.6 Amps @ 12V	Glass-Filled Nylon	Tube & Fin	5/8"

Please See Page 14 - 17 for Optional Kits, Louvers & Accessories

MARADYNE® Mobile Products

2800 112th Street, Suite 200 • Grand Prairie, TX 75050 • Ph: (800) 403-7953 • Fax: (817) 428-6687 • www.maradynemobile.com

UNIVERSAL FLOOR/UNDER DASH MOUNT HEATER

9" Plastic Stoker™ Heater 2 – 3" Outlets



MOUNTING BRACKETS
(included)

FEATURES

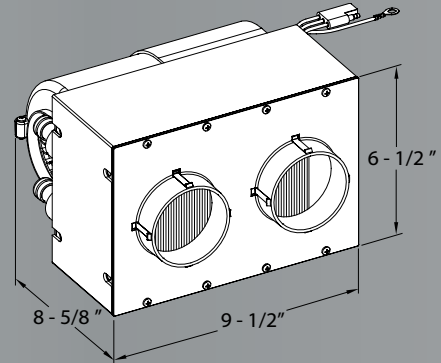
- Three-Speed Motor *
- Heavy Duty Injection Molded Glass-Filled Nylon Case
- 2 – 3" Hose Adapters

INCLUDES

- Switch Kit P/N H-5670014 See Page 15

OPTIONS

- Heater Hose Kit P/N H-64006 (not included) See Page 14
- Defrost Kit P/N MFA128 or Louver Kit P/N MFA130 (not included) See Page 16
- Heater Tubes P/N TA8000505, P/N TA8000506 or P/N TA8001492 (not included) See Page 17



6 1/2" H x 9 1/2" L x 8 5/8" D

* Marine version also available w/non-vented motor Tested to SAE J1171, Ignition Proof ISO 8846 and ISO 9097. Contact us for information.

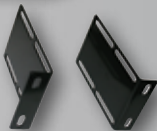
9 IN. STOKER HEATER WITH 2 – 3 IN. OUTLETS SPECIFICATIONS

PART #	HEATING BTU/HR	AIR FLOW	POWER REQUIREMENTS	CASE & BLOWER MATERIAL	CORE MATERIAL	FITTINGS
MM-A1090002	26,000	200 CFM	9.6 Amps @ 12V	Glass-Filled Nylon	Tube & Fin	5/8"
MM-B1090002	26,000	200 CFM	4.8 Amps @ 24V	Glass-Filled Nylon	Tube & Fin	5/8"

Please See Page 14 - 17 for Optional Kits, Louvers & Accessories

UNIVERSAL FLOOR/UNDER DASH MOUNT HEATER

9" Plastic Stoker™ Heater Grille Face



MOUNTING BRACKETS
(included)

FEATURES

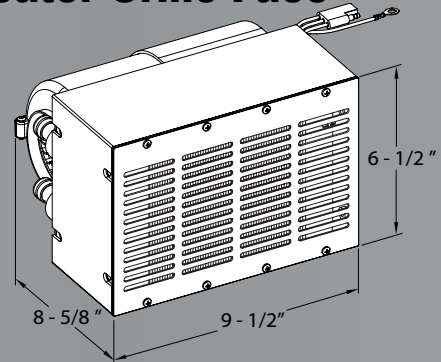
- Three-Speed Motor
- Heavy Duty Injection Molded Glass-Filled Nylon Case

INCLUDES

- Switch Kit P/N H-5670014 See Page 15

OPTIONS

- Heater Hose Kit P/N H-64006 (not included) See Page 14



6 1/2" H x 9 1/2" L x 8 5/8" D

9 IN. STOKER HEATER GRILLE FACE SPECIFICATIONS

PART #	HEATING BTU/HR	AIR FLOW	POWER REQUIREMENTS	CASE & BLOWER MATERIAL	CORE MATERIAL	FITTINGS
MM-A1090009	26,000	200 CFM	9.6 Amps @ 12V	Glass-Filled Nylon	Tube & Fin	5/8"

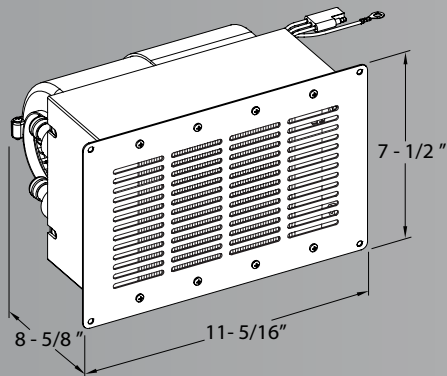
Please See Page 14 - 17 for Optional Kits, Louvers & Accessories

HYDRONIC HEATERS



UNIVERSAL WALL MOUNT HEATER

9" Plastic Stoker™ Heater Grille Face w/Flange



FEATURES

- Three-Speed Motor*
- Heavy Duty Injection Molded Glass-Filled Nylon Case

INCLUDES

- Switch Kit P/N H-5670014 See Page 15

OPTIONS

- Heater Hose Kit P/N H-64006 (not included) See Page 14

7 1/2" H x 11 5/16" L x 8 5/8" D

* Marine version also available w/non-vented motor Tested to SAE J1171, Ignition Proof ISO 8846 and ISO 9097. Contact us for information.

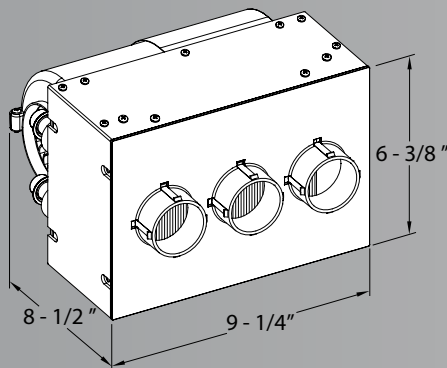
9 IN. STOKER HEATER GRILLE FACE WITH FLANGE SPECIFICATIONS

PART #	HEATING BTU/HR	AIR FLOW	POWER REQUIREMENTS	CASE & BLOWER MATERIAL	CORE MATERIAL	FITTINGS
MM-A1090004	26,000	200 CFM	9.6 Amps @ 12V	Glass-Filled Nylon	Tube & Fin	5/8"
MM-B1090004	26,000	200 CFM	4.8 Amps @ 24V	Glass-Filled Nylon	Tube & Fin	5/8"

Please See Page 14 - 17 for Optional Kits, Louvers & Accessories

UNIVERSAL FLOOR/UNDER DASH MOUNT HEATER

9" Aluminum Stoker™ Heater 3 – 2" Outlets



FEATURES

- Two-Speed Motor
- Heavy Duty 16 Gauge Aluminum Case for high vibration environment
- 3 – 2" Hose Adapters

OPTIONS

- Heater Hose Kit P/N H-64006 (not included) See Page 14
- Defrost Kit P/N MFA126 or Louver Kit P/N MFA127 (not Included) See Page 16
- Heater Tube P/N TA8001549 (not Included) See Page 17

6 3/8" H x 9 1/4" L x 8 1/2" D



MOUNTING BRACKETS
(included)

9 IN. METAL STOKER HEATER WITH 3 – 2 IN. OUTLETS SPECIFICATIONS

PART #	HEATING BTU/HR	AIR FLOW	POWER REQUIREMENTS	CASE MATERIAL	CORE MATERIAL	BLOWER MATERIAL	FITTINGS
MM-A1090013*	25,000	150 CFM	9.6 Amps @ 12V	16 Gauge Aluminum	Tube & Fin	Glass-Filled Nylon	5/8"

* Marine version w/non-vented motor Tested to SAE J1171, Ignition Proof ISO 8846 and ISO 9097. For use in marine heaters.

Please See Page 14 - 17 for Optional Kits, Louvers & Accessories

MARADYNE® Mobile Products

2800 112th Street, Suite 200 • Grand Prairie, TX 75050 • Ph: (800) 403-7953 • Fax: (817) 428-6687 • www.maradynemobile.com

HYDRONIC HEATERS



UNIVERSAL FLOOR/UNDER DASH MOUNT HEATER

16" Super Stoker™ Heater 3 – 3" Outlets



**MOUNTING BRACKETS
(included)**

FEATURES

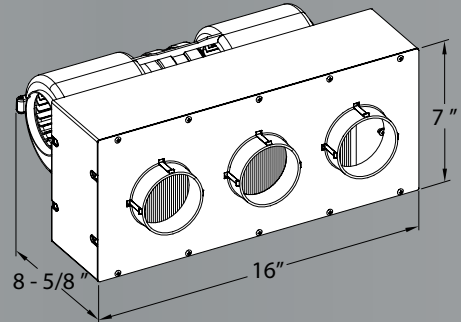
- Three-Speed Motor *
- Heavy Duty Injection Molded Glass-Filled Nylon Case
- 3 – 3" Hose Adapters

INCLUDES

- Switch Kit P/N H-5670014 See Page 15

OPTIONS

- Heater Hose Kit P/N H-64006 (not included) See Page 14
- Defrost Kit P/N MFA128 or Louver Kit P/N MFA130 (not included) See Page 16
- Heater Tubes P/N TA8000505, P/N TA8000506 or P/N TA8001492 (not included) See Page 17



7" H x 16" L x 8⁵/₈" D

* Marine version also available w/non-vented motor Tested to SAE J1171, Ignition Proof ISO 8846 and ISO 9097. Contact us for information.

16 IN. STOKER HEATER WITH 3 – 3 IN. OUTLETS SPECIFICATIONS

PART #	HEATING BTU/HR	AIR FLOW	POWER REQUIREMENTS	CASE & BLOWER MATERIAL	CORE MATERIAL	FITTINGS
MM-A1160005	40,000	300 CFM	11.6 Amps @ 12V	Glass-Filled Nylon	Tube & Fin	5/8"
MM-B1160005	40,000	300 CFM	5.8 Amps @ 24V	Glass-Filled Nylon	Tube & Fin	5/8"

Please See Page 14 - 17 for Optional Kits, Louvers & Accessories

UNIVERSAL FLOOR/UNDER DASH MOUNT HEATER

16" Super Stoker™ Heater 4 – 3" Outlets



**MOUNTING BRACKETS
(included)**

FEATURES

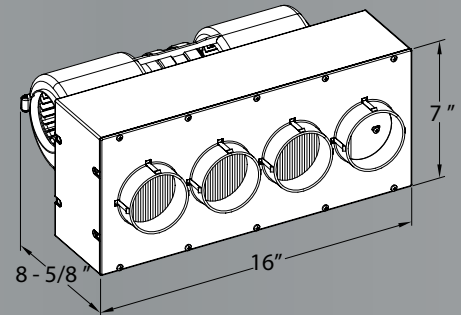
- Three-Speed Motor *
- Heavy Duty Injection Molded Glass-Filled Nylon Case
- 4 – 3" Hose Adapters

INCLUDES

- Switch Kit P/N H-5670014 See Page 15

OPTIONS

- Heater Hose Kit P/N H-64006 (not included) See Page 14
- Defrost Kit P/N MFA128 or Louver Kit P/N MFA130 (not included) See Page 16
- Heater Tubes P/N TA8000505, P/N TA8000506 or P/N TA8001492 (not included) See Page 17



7" H x 16" L x 8⁵/₈" D

* Marine version also available w/non-vented motor Tested to SAE J1171, Ignition Proof ISO 8846 and ISO 9097. Contact us for information.

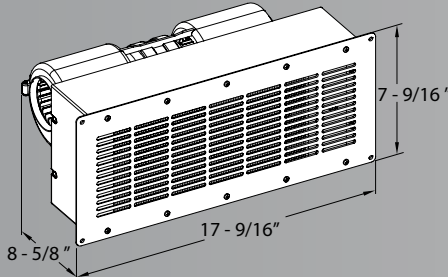
16 IN. STOKER HEATER WITH 4 – 3 IN. OUTLETS SPECIFICATIONS

PART #	HEATING BTU/HR	AIR FLOW	POWER REQUIREMENTS	CASE & BLOWER MATERIAL	CORE MATERIAL	FITTINGS
MM-A1160006	40,000	300 CFM	11.6 Amps @ 12V	Glass-Filled Nylon	Tube & Fin	5/8"
MM-B1160006	40,000	300 CFM	5.8 Amps @ 24V	Glass-Filled Nylon	Tube & Fin	5/8"

Please See Page 14 - 17 for Optional Kits, Louvers & Accessories

UNIVERSAL WALL MOUNT HEATER

16" Super Stoker™ Heater Grille Face w/Flange



FEATURES

- Three-Speed Motor*
- Heavy Duty Injection Molded Glass-Filled Nylon Case

INCLUDES

- Switch Kit P/N H-5670014 See Page 15

OPTIONS

- Heater Hose Kit P/N H-64006 (not included) See Page 14



7⁹/₁₆" H x 17⁹/₁₆" L x 8⁵/₈" D

* Marine version also available w/non-vented motor Tested to SAE J1171, Ignition Proof ISO 8846 and ISO 9097. Contact us for information.

16 IN. STOKER HEATER GRILLE FACE WITH FLANGE SPECIFICATIONS

PART #	HEATING BTU/HR	AIR FLOW	POWER REQUIREMENTS	CASE & BLOWER MATERIAL	CORE MATERIAL	FITTINGS
MM-A1160004	40,000	300 CFM	11.6 Amps @ 12V	Glass-Filled Nylon	Tube & Fin	5/8"
MM-B1160004	40,000	300 CFM	5.8 Amps @ 24V	Glass-Filled Nylon	Tube & Fin	5/8"

Please See Page 14 - 17 for Optional Kits, Louvers & Accessories

MOAB UNDER DASH MOUNT ELECTRIC HEATER – 24V/48V



FEATURES

- Two-Speed Motor
- 3 Heating Elements 24V
- Mounting Plate & Fan Control Switch Included
- Safety Thermostat



Part # HF-100024E



Part # HF-100124E



4¹/₂" H x 10²⁷/₃₂" L x 9⁵/₈" D

NOTE: Special Order Only. Minimum quantities may apply. Call for quote.

MOAB HEATER SPECIFICATIONS

PART #	HEATING BTU/HR	AIR FLOW	BLOWER POWER REQUIREMENTS	HEATER POWER REQUIREMENTS	CASE & BLOWER MATERIAL	OUTLETS
HF-100024E	2,560	118 CFM	5.0 Amps @ 24V	15 Amps & 25 Amps @ 24V	Heat Resistant ABS	2 Adjustable Louvers
HF-100048E	4,435	118 CFM	6.0 Amps @ 12V	7.5 Amps & 15 Amps @ 48V	Heat Resistant ABS	2 Adjustable Louvers
HF-100124E	2,560	118 CFM	5.0 Amps @ 24V	15 Amps & 25 Amps @ 24V	Heat Resistant ABS	2 – 2" Outlets
HF-100148E	4,435	118 CFM	6.0 Amps @ 12V	7.5 Amps & 15 Amps @ 48V	Heat Resistant ABS	2 – 2" Outlets

HEATER HOSE KITS



TA8000689

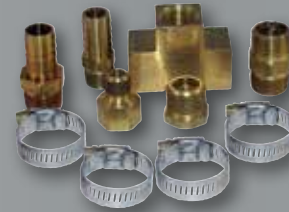
Engine Plumbing Kit includes:

- M-62024 (also sold separately)
- TA8000466 (also sold separately)



M-62024 includes:

- 25' - 5/8" Heater Hose



TA8000466 includes:

- 1/2" FPT Tee
- 3/8" MPT x 5/8" Hose Barb
- 1/2" MPT x 3/8" FPT Bushing
- 1/2" x 1/2" MPT Union
- 1/2" MPT x 5/8" Hose Barb and 4 Hose Clamps



H-64006

Heater Plumbing Kit includes:

- 12.5' - 5/8" Heater Hose
- Water Shutoff Valve
- 1/2" x 3/8" Bushing
- 5/8" Hose Connector
- 4 Hose Clamps



MFA129

Engine Plumbing Kit includes:

- 10' - 5/8" Heater Hose
- 2 - 1/2" MPT x 5/8" Hose Barb
- 4 - 1 1/8" Mounting Clamp
- 4 Hose Clamps

Used to install all hydronic heater models listed in this catalog.

HEATER ACCESSORIES



SWITCHES, SWITCH KITS, SWITCH PLATES & CONTROL VALVE



H-5670014

4-Position Switch Kit



TA7000078

4-Position Switch Kit



H-5670004

Switch Kit (H-5670014) w/3' Wire Harness



H-5670005

Switch Kit (TA7000078) w/3' Wire Harness

New!



MFA133

3-Position Heater Switch

New!



MFA134

4-Position Heater Switch

New!



MFA135

Inline Water Control Valve



1340-1

4" x 1.5"



1660-1

2" x 1.4"



1705-1

1.5" Diameter



1706-HS

1.5" Diameter

DEFROST & LOUVER KITS & PARTS



MFA126

Defrost Kit w/2" Flex Duct
For Santa Fe, The Heat 5000, Phoenix &
Stoker Series Heaters w/2" Outlets



MFA127

Louver Kit w/2" Flex Duct
For Santa Fe, The Heat 5000, Phoenix &
Stoker Series Heaters w/2" Outlets



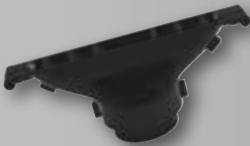
MFA128

Defrost Kit w/3" Flex Duct
For Stoker Series Heaters w/3" Outlets



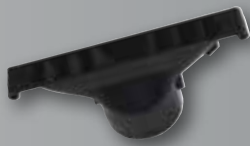
MFA130

Louver Kit w/3" Flex Duct
For Stoker Series Heaters w/3" Outlets



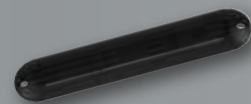
2454-1

7.25" x 1" Defrost Chute
w/2" Hose End



2454

7.25" x 1" Defrost Chute
w/2.5" Hose End



2453

7" x 1.5" Defrost Chute Grille



2063

21.6" x 2" Defrost Chute Deflector



2505

4" Dome Louver w/2.5" Screw in Hose Adapter

HEATER ACCESSORIES



STOKER SERIES HEATER TUBES w/LOUVER



TA8000505

Ø4" x 10.45"
3" Heater Tube w/Grille Face
Hose Extends an Additional 62"



TA8000506

Ø4" x 10.45"
3" Heater Tube w/Adjustable Louver
Hose Extends an Additional 62"



TA8001492

Ø4" x 10.45"
3" Heater Tube w/Triple Vane Louver
Hose Extends an Additional 62"



TA8001549

Ø2.79" x 10.25"
2" Heater Tube w/Triple Vane Louver
Hose Extends an Additional 72"

AIR RETURN GRILLES, FLEX HOSE & WATER HOSE FITTINGS



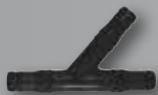
2223

2.75" x 12" Air Return Grille



2241

5" x 6" Air Return Grille



1663

5/8" & 3/4" Water Hose
"Y" Connector (5" Long)



1906

5/8" & 3/4" Short Water Hose
"Y" Connector (4" Long)



2059

5/8" & 3/4" Water Hose
Splice (3.5" Long)



1892

2.5" "Y"
Connector

TA8000448

3" "Y"
Connector

AXIAL FAN ACCESSORIES



MFA100

Harness w/Adjustable Temperature Switch & Relay (12V)



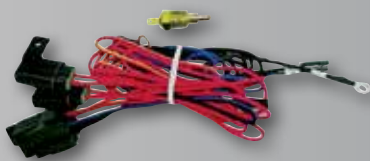
MFA100-6

Harness w/Adjustable Temperature Switch & Relay (6V)



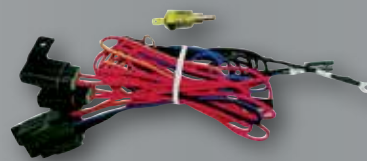
MFA101

A/C Harness w/Relay



MFA102

Harness w/MFA108 Engine Temperature Switch & Relay



MFA103

Harness w/MFA109 Engine Temperature Switch & Relay



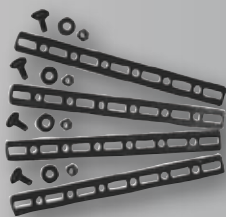
MFA108

185° Engine Temperature Switch



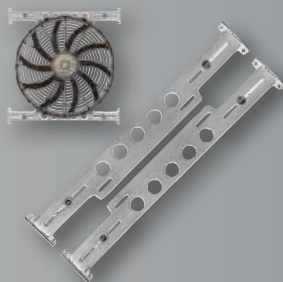
MFA109

195° Engine Temperature Switch



MFA104

Metal Universal Bracket Strips (includes 7.4" strap brackets)



MFA105

Billet Aluminum Universal Fan Brackets (fits 14" & 16" fans)



MFA136

PWM Single Fan Controller w/Temperature Sensor

AXIAL FANS



MP166K or MP162K
16" S-Blade



12V Universal
White Box
Branded

MP119K
11" S-Blade



MP089K
8" Straight Blade



MP099K
9" Straight Blade



MP109K
10" S-Blade



MP136K
13" S-Blade

PACESETTER SERIES (12V & 6V)

- Economical – good for high performance or daily drivers
- Non-vented, heavy and medium duty motors
- Quiet, reversible S-blade and Straight blade design – works as a puller or pusher fan (ships as a puller)
- All glass-filled nylon construction
- Includes four (4) 90° mounting feet, mating pigtail connector and nylon pull through tie kit. Molded in mounting feet as well (except MP099K model)
- Recommended wire harnesses (12V)*
(sold separately)
MFA100 (adjustable thermostat)
MFA101 (A/C relay)
MFA102 (185° temperature switch)
MFA103 (195° temperature switch)
- Recommended wire harnesses*
(sold separately)
MFA100-6 (adjustable thermostat) which can be used with:
MFA108 (185° temperature sensor) & MFA109 (195° temperature sensor)(purchased separately)

* Please see page 18 for wire harness, replacement parts and bracket descriptions.

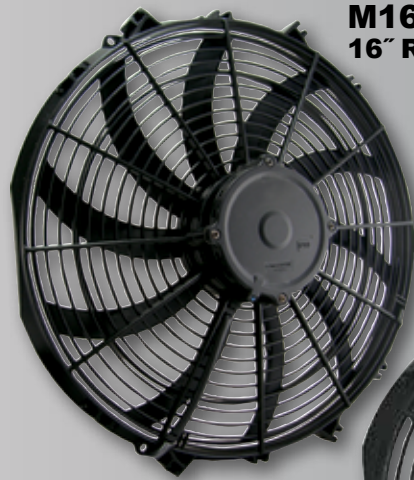


MP166K-6
16" Straight Blade
(also available in 14" & 12" straight blade)

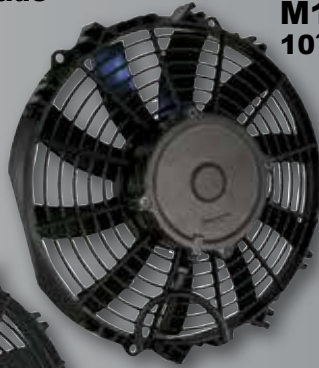
PACESETTER SERIES SPECIFICATIONS

PART #	BLADE SIZE	MOTOR	DEPTH	CFM AT 0"	AMP DRAW
MP166K	16" Reversible S-Blade	160W Heavy Duty	4.08"	1,661	15.6
MP166K-6	16" Reversible Straight Blade	160W Heavy Duty	3.56"	1,248	15.4
MP162K	16" Reversible S-Blade	225W Heavy Duty	4.42"	1,746	13.2
MP146K-6	14" Reversible Straight Blade	160W Heavy Duty	3.46"	1,029	11.7
MP136K	13" Reversible S-Blade	160W Heavy Duty	3.61"	1,356	9.4
MP126K-6	12" Reversible Straight Blade	160W Heavy Duty	3.46"	910	11.4
MP119K	11" Reversible S-Blade	90W Medium Duty	2.49"	727	7.7
MP109K	10" Reversible S-Blade	90W Medium Duty	2.48"	666	4.5
MP099K	9" Reversible Straight Blade	90W Medium Duty	2.55"	585	6.8
MP089K	8" Reversible Straight Blade	90W Medium Duty	2.37"	391	5.1

AXIAL FANS



M162K or M166K
16" Reversible S-Blade



M103K
10" Reversible S-Blade



M059K
5" Puller Only Straight Blade



M122K or M123K
12" Reversible S-Blade



M083K
8" Reversible S-Blade

CHAMPION LOW PROFILE SERIES

- Lowest profile high performance reversibles on the market
- Sealed motor tested in accordance with DIN EN 60529, dust and water proof to IP68*
- Quiet, reversible S-blade design – works as a puller or pusher fan (ships as a puller)
- All glass-filled nylon construction
- Includes (4) 90° mounting feet (all) and nylon tie kit (all 130 watt motors)
- Includes locking mating pigtail connector and rubber spacers for proper spacing off of heat exchanger
- Recommended wire harnesses**
(sold separately)
MFA100 (adjustable thermostat)
MFA101 (A/C relay)
MFA102 (185° temperature switch)
MFA103 (195° temperature switch)
- Optional brackets**
(sold separately)
MFA104 (metal bracket strips)
MFA105 (aluminum brackets)

* M059K motor does NOT meet IP68 requirements.

** Please see page 18 for wire harness, replacement parts and bracket descriptions.

CHAMPION LOW PROFILE SERIES SPECIFICATIONS

PART #	BLADE SIZE	MOTOR	DEPTH	CFM AT 0"	AMP DRAW
M166K	16" Reversible S-Blade	160W Heavy Duty	2.87"	1,810	12.3
M162K	16" Reversible S-Blade	225W Heavy Duty	3.19"	2,170	18.0
M146K	14" Reversible S-Blade	160W Heavy Duty	2.87"	1,555	10.1
M142K	14" Reversible S-Blade	225W Heavy Duty	3.19"	2,135	17.2
M123K	12" Reversible S-Blade	130W Heavy Duty	2.48"	1,155	7.7
M122K	12" Reversible S-Blade	225W Heavy Duty	3.19"	1,706	13.3
M113K	11" Reversible S-Blade	130W Heavy Duty	2.48"	1,110	7.4
M103K	10" Reversible S-Blade	130W Heavy Duty	2.48"	950	7.9
M093K	9" Reversible S-Blade	130W Heavy Duty	2.48"	790	7.7
M083K	8" Reversible S-Blade	130W Heavy Duty	2.48"	450	8.1
M073K	7" Reversible S-Blade	130W Heavy Duty	2.48"	375	6.5
M059K	5" Puller Only Straight Blade	30W Medium Duty	2.28"	315	3.8

DASH MOUNT FAN ACCESS.



BASE OPTIONS



4000 SERIES

TA8001117 – Zinc/Zinc/Zinc/None*
Also Available as shown w/Toggle Switch, or Black Base w/Either Zinc or Black Pivot Plate & Yoke, and with or without Toggle Switch



2000 SERIES

M-53011 (Black Base w/Zinc Pivot Plate Only)



8000 SERIES

TA8001124 – Black/Zinc/Zinc/None*
Also Available as shown w/Toggle or Rheostat Switch or Black Base w/Black Pivot Plate & Yoke, or Cast Base w/Zinc Pivot Plate & Yoke and with or without Toggle or Rheostat Switch



3000 SERIES

M-53010 (Black Base w/Black Pivot Plate Only)



9000 SERIES

TA8001126 – Black/Zinc/Zinc/None*
Also Available as shown w/Toggle Switch, or Black Base w/Either Zinc or Black Pivot Plate & Yoke, and with or without Toggle Switch

* Base/Pivot Plate/Yoke/Switch Options.

GUARD OPTIONS



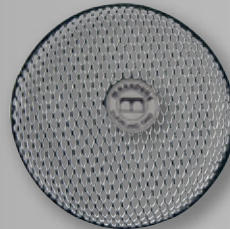
M-53098

Black



M-53097

Chrome



TA8000258

UltraGard®
2000 & 3000 Series Only



TA8000881

Plastic w/Aluminum Blade
2000, 3000, 4000, 8000 & 9000 Series Only



TA8000885

SWITCH OPTIONS



M-53099-G1

Two-Speed Toggle



M-53099-G2

One-Speed Toggle



M-53025

Rheostat

BLADE OPTIONS



M-53030

Alumimum 6.5" CCW



M-53031

Black 6.5" CCW

DASH MOUNT FANS



Track Mount Series – Medium Duty Ventilation/Defrost Fans

New!



Part # F-004412-3W

FEATURES

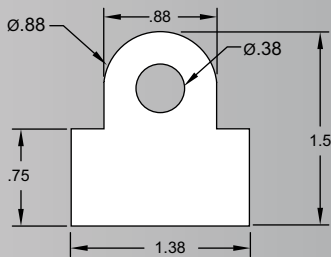
- Adjustable Position Swivel
- Two-Speed
- Medium Duty Motor
- Mounting Hardware (included)

OPTIONS

- Volts:** 12V or 24V
- Base:** Black
- Guard:** Black
- Blade:** Black
- Switch:** None
- Box Qty.:** 12

CFM High: 270
CFM Low: 220

Amps High: 2.7
Amps Low: 1.6



0000 SERIES – OPTIONS				
12V PART #	24V PART #	BLADE	GUARD	SWITCH
F-004412-3W	F-004424-3W	Black	Black	None

Other options available. Please see page 21 and contact MARADYNE®.

1000 Series – Medium Duty Ventilation/Defrost Fans



Part # F-100012

FEATURES

- Drawn Steel Base
- Round Three-Hole Mount
- Adjustable Position Swivel
- Two-Speed
- Medium Duty Motor
- Mounting Hardware & Gasket (included)

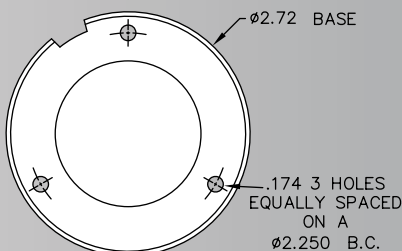
OPTIONS

- Volts:** 12V, 24V, 36V or 48V
- Base:** Chrome
- Guard:** Chrome
- Blade:** Aluminum
- Switch:** Three-Position Toggle
- Box Qty.:** 12

CFM High: 210
CFM Low: 140

Amps High: 1.1
Amps Low: 0.5

No Service Parts Available for this Series



1000 SERIES ONE SPEED – OPTIONS					
12V PART #	24V PART #	36V PART #	BLADE	GUARD	SWITCH
F-100012	F-100024	F-100036*	Aluminum	Chrome	Toggle

* 48V option also available

DASH MOUNT FANS



2000 Series – Heavy Duty Ventilation/Defrost Fans

See Optional 9000 Series Base

FEATURES

- Heavy Duty Die Cast Base
- Round Three-Hole Mount
- Adjustable Position Swivel
- Two-Speed Wound Field Motor
- Mounting Hardware & Gasket (included)

OPTIONS

- Volts:** 12V or 24V
- Base:** Black
- Guard:** Black, Chrome, Plastic or UltraGard®
- Blade:** Aluminum or Black
- Switch:** Three-Position Toggle or None
- Box Qty.:** 6

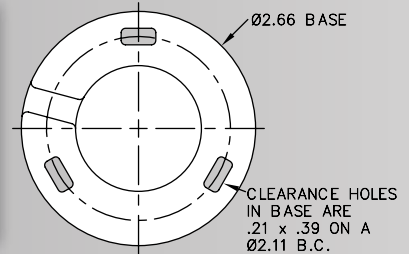
CFM High: 270
CFM Low: 220

Amps High: 2.7
Amps Low: 1.6



Part # F-200112

2000 SERIES – OPTIONS				
12V PART #	24V PART #	BLADE	GUARD	SWITCH
F-200112	F-200124	Aluminum	Chrome	Toggle
F-200112MS	F-200124MS	Aluminum	Chrome	None
F-200412	F-200424	Black	Black	Toggle
F-200412UG	F-200424UG	Black	UltraGard®	Toggle
F-200512	F-200524	Aluminum	Plastic	Toggle



Other options available. Please see page 21 and contact MARADYNE®.

3000 Series – Heavy Duty Ventilation/Defrost Fans

See Optional 8000 Series Base

FEATURES

- Heavy Duty Die Cast Base
- Square Four-Hole Mount
- Adjustable Position Swivel
- One or Two-Speed Wound Field Motor
- Mounting Hardware & Gasket (included)

OPTIONS

- Volts:** 12V, 24V, 36V or 48V
- Base:** Black
- Guard:** Black, Chrome or UltraGard®
- Blade:** Aluminum or Black
- Switch:** Rheostat, Toggle or None
- Box Qty.:** 6

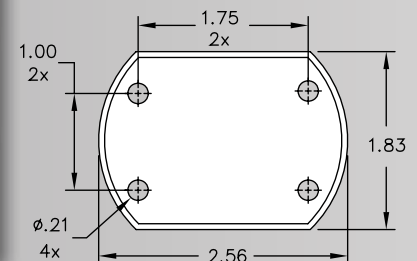
CFM High: 270
CFM Low: 220

Amps High: 2.7
Amps Low: 1.6



Part # F-300012UG

3000 SERIES ONE SPEED – OPTIONS					
12V PART #	24V PART #	36V PART #	BLADE	GUARD	SWITCH
F-300012	F-300024	F-300036	Aluminum	Chrome	Rheostat
F-300012UG	F-300024UG		Black	UltraGard®	Rheostat
F-310012	F-310024	F-310036	Aluminum	Chrome	None
F-300412	F-300424		Black	Black	Rheostat
3000 SERIES TWO SPEED – OPTIONS					
F-320012	F-320024		Aluminum	Chrome	Toggle
F-4670176	F-4670177	F-4670179*	Black	Black	Toggle
F-4670176UG	F-4670177UG	F-4670179UG*	Black	UltraGard®	Toggle
F-4670176MS	F-4670177MS	F-4670179MS*	Black	Black	None



* 48V option also available

Other options available. Please see page 21 and contact MARADYNE®.

MARADYNE® Mobile Products

2800 112th Street, Suite 200 • Grand Prairie, TX 75050 • Ph: (800) 403-7953 • Fax: (817) 428-6687 • www.maradynemobile.com

DASH MOUNT FANS



4000 Series – Heavy Duty Ventilation/Defrost Fans

FEATURES

- Heavy Duty Die Cast Base or Stamped Metal
- Square Four-Hole Mount
- Adjustable Tension Swivel
- Two-Speed Wound Field Motor
- Mounting Hardware & Gasket

OPTIONS

- Volts:** 12V or 24V
- Base:** Black or Zinc Plated
- Pivot Plate:** Black or Zinc Plated
- Yoke:** Black or Zinc Plated
- Guard:** Black or Chrome
- Blade:** Aluminum or Black
- Switch:** Three-Position Toggle or None
- Box Qty.:** 6



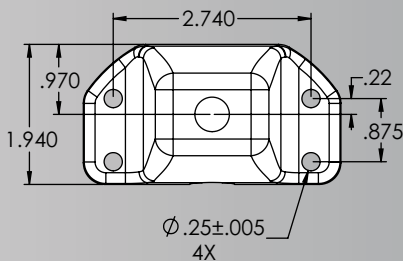
Part # F-400312



ADJUSTABLE TENSION SWIVEL DESIGN

CFM High: 270
CFM Low: 220

Amps High: 2.7
Amps Low: 1.6



4000 SERIES – OPTIONS

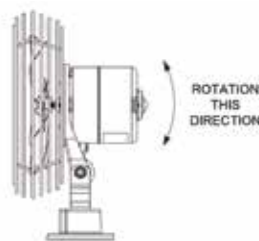
12V PART #	24V PART #	BLADE	GUARD	BASE	SWITCH
F-400312	F-400324	Aluminum	Chrome	Zinc	None
F-404412	F-404424	Black	Black	Black	None
F-404512	F-404524	Aluminum	Black	Black	None
F-420312	F-420324	Aluminum	Chrome	Zinc	Toggle
F-424412	F-424424	Black	Black	Black	Toggle
F-424512	F-424524	Aluminum	Black	Black	Toggle

Other options available. Please see page 21 and contact MARADYNE®.

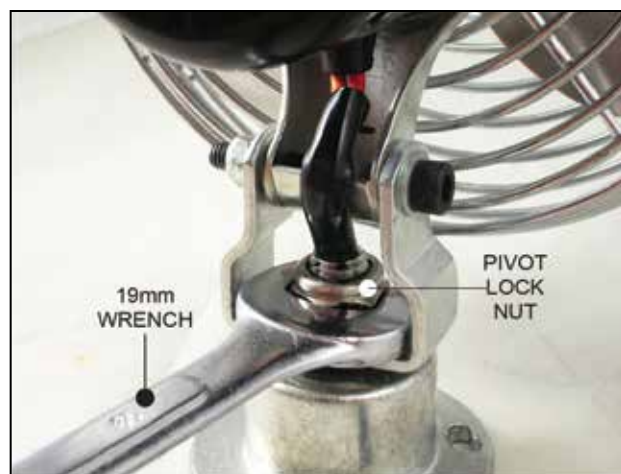
Tension Adjustments For 4000, 8000 & 9000 Series Dash Fans



TO ADJUST U CHANNEL TENSION, LOOSEN OR TIGHTEN THE SOCKET HEAD SCREW AND LOCK NUT USING A 10mm WRENCH AND 5mm ALLEN WRENCH AS SHOWN. DO NOT OVERTIGHTEN TO PREVENT DAMAGING THE NUT.



Side View



TO ADJUST BASE SWIVEL TENSION, LOOSEN OR TIGHTEN THE PIVOT LOCK NUT USING A 19mm WRENCH AS SHOWN. DO NOT OVERTIGHTEN TO PREVENT DAMAGING THE NUT.



Top View

DASH MOUNT FANS



8000 Series – Heavy Duty Ventilation/Defrost Fans

FEATURES

- Heavy Duty Die Cast Base
- Flat Four-Hole Mount
- Adjustable Tension Swivel
- One or Two-Speed Wound Field Motor
- Mounting Hardware & Gasket

OPTIONS

- Volts:** 12V or 24V
Base: Black or Zinc Plated
Pivot Plate: Black or Zinc Plated
Yoke: Black or Zinc Plated
Guard: Black, Chrome or Plastic
Blade: Aluminum or Black
Switch: Rheostat, Three-Position Toggle or None
Box Qty.: 6

CFM High: 270
CFM Low: 220

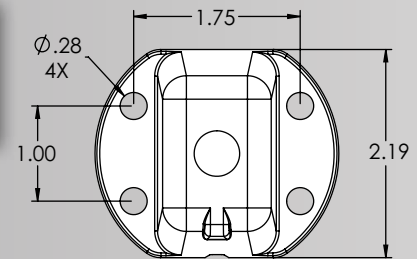
Amps High: 2.7
Amps Low: 1.6



Part # F-804812

ADJUSTABLE TENSION SWIVEL DESIGN

8000 SERIES – OPTIONS				
12V PART #	24V PART #	BLADE	GUARD	SWITCH
F-804812	F-804824	Black	Black	None
F-824812	F-824824	Black	Black	Toggle



Other options available. Please see page 21 and contact MARADYNE®.

9000 Series – Heavy Duty Ventilation/Defrost Fans

FEATURES

- Heavy Duty Die Cast Base
- Round Three-Hole Mount
- Adjustable Position Swivel
- Two-Speed Wound Field Motor
- Mounting Hardware & Gasket (included)

OPTIONS

- Volts:** 12V or 24V
Base: Black or Chrome
Guard: Black, Chrome or Plastic
Blade: Aluminum or Black
Switch: Three-Position Toggle or None
Box Qty.: 6

CFM High: 270
CFM Low: 220

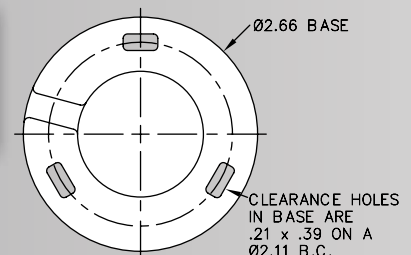
Amps High: 2.7
Amps Low: 1.6



Part # F-920612

ADJUSTABLE TENSION SWIVEL DESIGN

9000 Series – Options				
12V PART #	24V PART #	BLADE	GUARD	SWITCH
F-920612	F-920624	Aluminum	Chrome	Toggle
F-924512	F-924524	Aluminum	Black	Toggle



Other options available. Please see page 21 and contact MARADYNE®.

MARADYNE® Mobile Products

2800 112th Street, Suite 200 • Grand Prairie, TX 75050 • Ph: (800) 403-7953 • Fax: (817) 428-6687 • www.maradynemobile.com

SOFT BLADE FANS/JR JET



Soft Blade Series – Heavy Duty Ventilation/Defrost Fans

FEATURES

- Oval Two-Hole Mount
- Adjustable Position Swivel
- Individually Boxed
- One or Two-Speed Permanent Magnet Motor
- Mounting Hardware & Gasket

OPTIONS

- Volts:** 12V or 24V
- Base:** Black
- Guard:** Plastic or None
- Blade:** Rubber
- Switch:** Rocker or None
- Box Qty.:** 6

CFM High: 165

Amps High: 0.7



Part # TAS000013

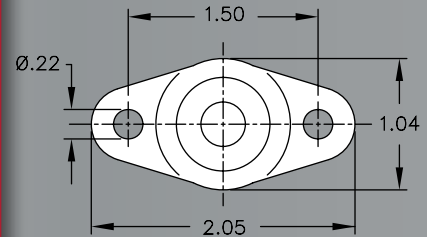


Part # TAS000009

**Special Order Only – Minimum Quantities Apply
No Service Parts Available for this Model**

SOFT BLADE SERIES – OPTIONS

12V PART #	24V PART #	BLADE	GUARD	SWITCH	SPEEDS
TAS000009	TBS000009	Rubber	None	Rocker	One
TAS000010	TBS000010	Rubber	None	None	One
TAS000011	TBS000011	Rubber	None	Rocker	Two
TAS000012	TBS000012	Rubber	None	None	Two
TAS000013	TBS000013	Rubber	Plastic	Rocker	One
TAS000014	TBS000014	Rubber	Plastic	None	One
TAS000015	TBS000015	Rubber	Plastic	Rocker	Two
TAS000016	TBS000016	Rubber	Plastic	None	Two



PORTABLE AIR PUMP



- Designed for vehicle tires used on trucks, SUV's, vans, cars, bikes and inflatables
- Heavy duty, gearless, direct drive motor
- Cigarette lighter adaptor w/9 ft. power cord
- 27 in. high pressure coiled air hose (expands to 12 ft.) with quick release connector
- Built-in air pressure gauge (0 – 150psi)
- Oil-less design, maintenance free
- 75db low noise, air flow 35L/min.
- Working pressure: 150psi/10bar
- Average fill rate on 16" tire 7lbs/min.



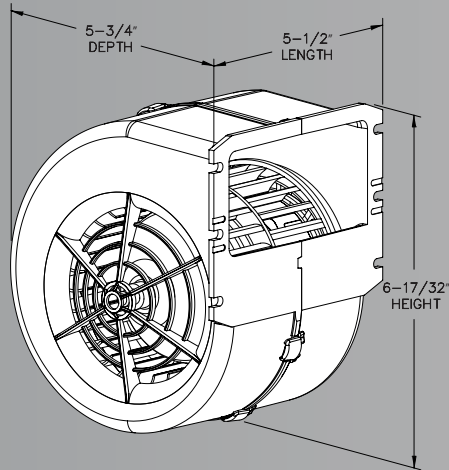
MJJ150

INCLUDES

- Plastic Inflatable Nozzles (2)
- Quick Release Coiled Air Hose
- Ball Needle
- Replacement Fuse
- Carry Case

CENTRIFUGAL BLOWERS

UNIVERSAL SINGLE BLOWER



Model # TEC2003



FEATURES

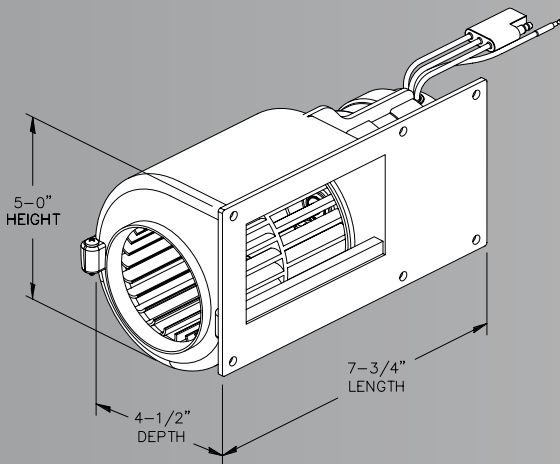
- 3-Speed
- High Volume Air Flow
- Single Scroll
- Heavy-Duty Long Life Permanent Magnet Motor

6¹⁷/₃₂" H x 5¹/₂" L x 5³/₄" D

TEC2003 SPECIFICATIONS

PART #	AIR FLOW	POWER REQUIREMENTS	CASE MATERIAL	WHEEL MATERIAL	MOTOR
6401856E	293 CFM	14.2 Amps @ 13.5V	Glass-Filled Nylon	Glass-Filled Nylon	3-Speed, Permanent Magnet

UNIVERSAL SINGLE BLOWER



**Model # TEC2009
(BH7800)**



FEATURES

- High Performance Air Movement
- Dual Scroll
- Three-Speed, Heavy-Duty Wound Field Motor
- Replacement Blower for 9" Stoker™ Heaters*
- Used in UTV & Marine Applications

5" H x 7³/₄" L x 4¹/₂" D

TEC2009 SPECIFICATIONS

PART #	AIR FLOW	POWER REQUIREMENTS	CASE MATERIAL	WHEEL MATERIAL
TA1160004	225 CFM	10.8 Amps @ 13.5V	Glass-Filled Nylon	Glass-Filled Nylon
TA1160007*	225 CFM	10.8 Amps @ 13.5V	Glass-Filled Nylon	Glass-Filled Nylon
TB1160003	225 CFM	13.5 Amps @ 27.5V	Glass-Filled Nylon	Glass-Filled Nylon

* Marine version w/non-vented motor Tested to SAE J1171, Ignition Proof ISO 8846 and ISO 9097. For use in marine heaters.

CENTRIFUGAL BLOWERS



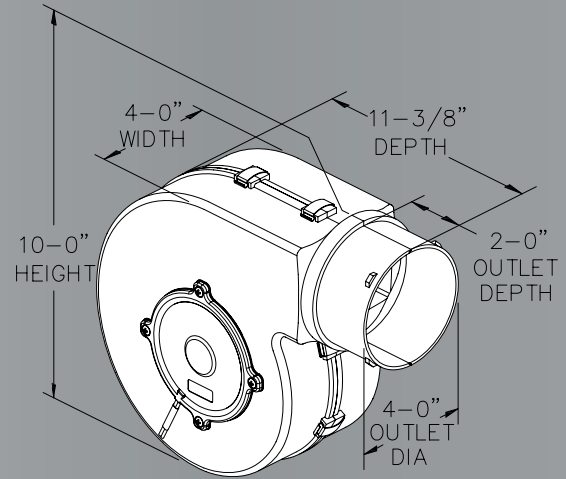
UNIVERSAL SINGLE BLOWER

**Model # TEC2000
(BH6000)**



FEATURES

- High Performance Air Movement
- Single Scroll
- Heavy-Duty Long Life Permanent Magnet Motor
- Also Available with Square Outlet



10" H x 4 W x 11³/₈" D

TEC2000 SPECIFICATIONS

PART #	AIR FLOW	POWER REQUIREMENTS	CASE MATERIAL	WHEEL MATERIAL	MOTOR
TA0130014	300 CFM	12.8 Amps @ 13.5V	Glass-Filled Nylon	Glass-Filled Nylon	1-Speed, Permanent Magnet

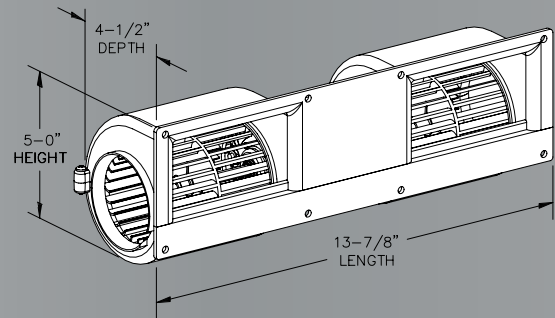
UNIVERSAL DUAL BLOWER

**Model # TEC2005
(BH1300)**



FEATURES

- High Performance Air Movement
- Dual Scroll
- Two-Speed, Heavy-Duty Wound Field Motor **w/Thermal Protection**



5" H x 13⁷/₈" L x 4¹/₂" D

TEC2005 SPECIFICATIONS

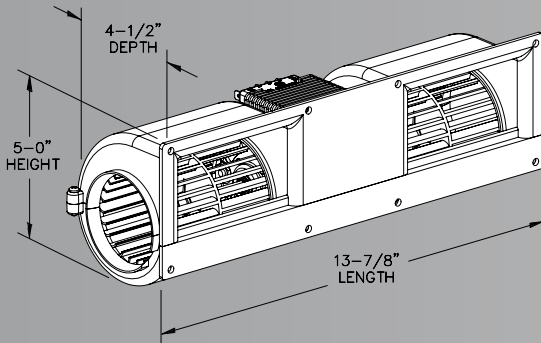
PART #	AIR FLOW	POWER REQUIREMENTS	CASE MATERIAL	WHEEL MATERIAL	MOTOR
TA1000022	380 CFM	12.8 Amps @ 13.5V	Glass-Filled Nylon	Glass-Filled Nylon	2-Speed, WF w/Thermal Protection

CENTRIFUGAL BLOWERS



UNIVERSAL DUAL BLOWER

Model # TEC2005
(BH1300)



5" H x 13⁷/₈" L x 4¹/₂" D



FEATURES

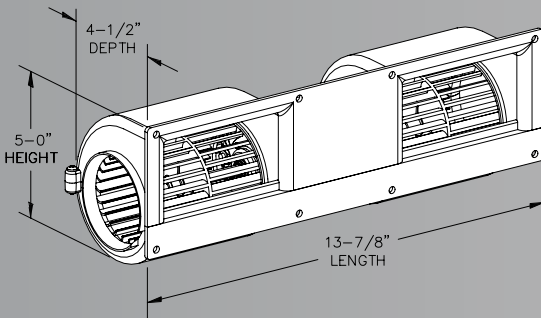
- High Performance Air Movement
- Dual Scroll
- Heavy-Duty Permanent Magnet Motor
- Three-Speed Resistor
- Used in Bus, Auto, Van, UTV & Marine Applications

BH1301 SPECIFICATIONS

PART #	AIR FLOW	POWER REQUIREMENTS	CASE MATERIAL	WHEEL MATERIAL	MOTOR
TA0000005	346 CFM	12.2 Amps @ 13.5V	Glass-Filled Nylon	Glass-Filled Nylon	3-Speed, Permanent Magnet

UNIVERSAL BUS EVAPORATOR DUAL BLOWER

Model # TEC2005
(BH1300)



5" H x 13⁷/₈" L x 4¹/₂" D



FEATURES

- High Performance Air Movement
- Dual Scroll
- Three-Speed, Heavy-Duty Wound Field Motor
- Replacement Blower for Navistar Heaters*
- Replacement Blower for 16" Stoker™ Heaters**
- Used in Bus, Auto, Van, UTV & Marine Applications.



TEC2005 SPECIFICATIONS

PART #	AIR FLOW	POWER REQUIREMENTS	CASE MATERIAL	WHEEL MATERIAL	MOTOR
TA1000011*	380 CFM	12.8 Amps @ 13.5V	Glass-Filled Nylon	Glass-Filled Nylon	3-Speed, Wound Field
TA1000021**	380 CFM	12.8 Amps @ 13.5V	Glass-Filled Nylon	Glass-Filled Nylon	3-Speed, Wound Field
BH1300-49	380 CFM	6.4 Amps @ 27.0V	Glass-Filled Nylon	Glass-Filled Nylon	3-Speed, Wound Field

** Marine version w/non-vented motor Tested to SAE J1171, Ignition Proof ISO 8846 and ISO 9097. For use in marine heaters.

MARADYNE® Mobile Products

2800 112th Street, Suite 200 • Grand Prairie, TX 75050 • Ph: (800) 403-7953 • Fax: (817) 428-6687 • www.maradynemobile.com

CENTRIFUGAL BLOWERS

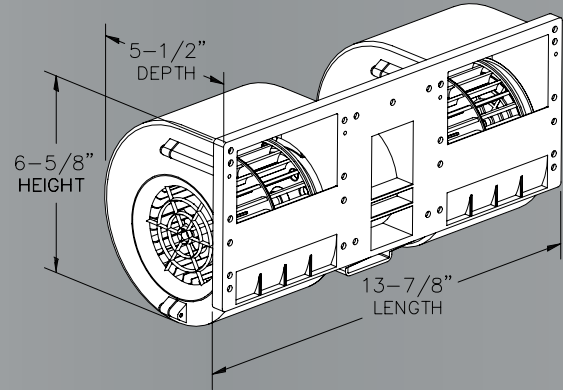


UNIVERSAL DUAL BLOWER

**Model # BH1400
(TEC2006)**

FEATURES

- High Performance Air Movement
- Dual Scroll
- Long Life, Heavy-Duty Permanent Magnet Motor w/Three-Speed Resistor
- Used in Bus, Truck & Emergency Vehicle Applications
- For High Static Applications Only



6⁵/₈" H x 13⁷/₈" L x 5¹/₂" D

BH1400 SPECIFICATIONS

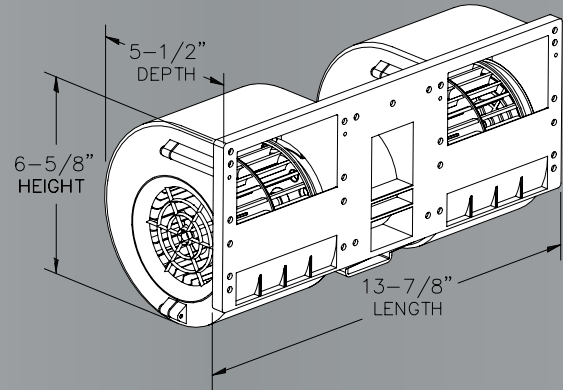
PART #	AIR FLOW	POWER REQUIREMENTS	CASE MATERIAL	WHEEL MATERIAL
BH1400-88-02	675 CFM	31.5 Amps @ 13.5V	Glass-Filled Nylon	Glass-Filled Nylon

UNIVERSAL DUAL BLOWER

**Model # BH1400
(TEC2006)**

FEATURES

- High Performance Air Movement
- Dual Scroll
- Long Life, Heavy-Duty Permanent Magnet Motor w/Four-Speed Resistor
- Used in Bus, Truck & Emergency Vehicle Applications



6⁵/₈" H x 13⁷/₈" L x 5¹/₂" D

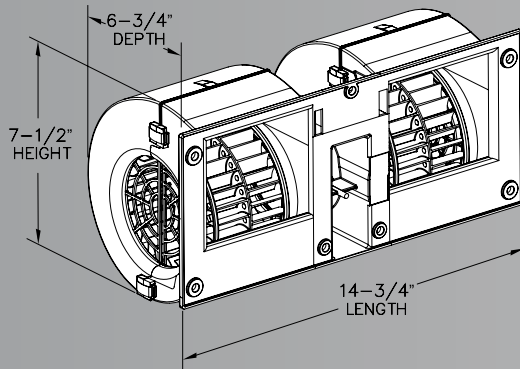
BH1400 SPECIFICATIONS

PART #	AIR FLOW	POWER REQUIREMENTS	CASE MATERIAL	WHEEL MATERIAL
BH1400-89-01	642 CFM	24.9 Amps @ 13.5V	Glass-Filled Nylon	Glass-Filled PP

CENTRIFUGAL BLOWERS



UNIVERSAL DUAL BLOWER



7¹/₂" H x 14³/₄" L x 6³/₄" D

MAGNUM II



TA0040001

FEATURES

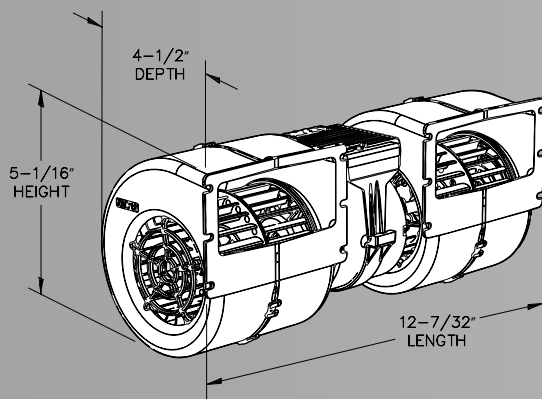
- High Performance Air Movement
- Dual Scroll
- Capable of Pressurizing the Largest of Vehicle Cabs
- Heavy Duty Permanent Magnet Motor



MAGNUM II SPECIFICATIONS

PART #	AIR FLOW	POWER REQUIREMENTS	CASE MATERIAL	WHEEL MATERIAL
TA0040001	825 CFM	28.1 Amps @ 13.5V	Glass-Filled Nylon	Glass-Filled Nylon

UNIVERSAL DUAL BLOWER



5¹/₁₆" H x 12⁷/₃₂" L x 4¹/₂" D

Model # BH1008



BH1008-1
Motor Mount Resistor

FEATURES

- High Performance Air Movement
- Dual Scroll
- Heavy-Duty Long Life Permanent Magnet Motor

OPTIONS

- No Resistor
- Four-Speed Motor Mount Resistor
- Three-Speed Side Mount Resistor

BH1008 SPECIFICATIONS

PART #	AIR FLOW	POWER REQUIREMENTS	CASE MATERIAL	WHEEL MATERIAL	RESISTOR
BH1008-1	400 CFM	13.5 Amps @ 13.5V	Glass-Filled Nylon	Glass-Filled Nylon	4-Speed (Motor Mount)
BH1008-7	400 CFM	13.5 Amps @ 13.5V	Glass-Filled Nylon	Glass-Filled Nylon	None
BH1008-14	400 CFM	13.5 Amps @ 13.5V	Glass-Filled Nylon	Glass-Filled Nylon	4-Speed (Motor Mount)*

* Resistor terminal ends face towards the discharge of the blower.

MARADYNE® Mobile Products

2800 112th Street, Suite 200 • Grand Prairie, TX 75050 • Ph: (800) 403-7953 • Fax: (817) 428-6687 • www.maradynemobile.com

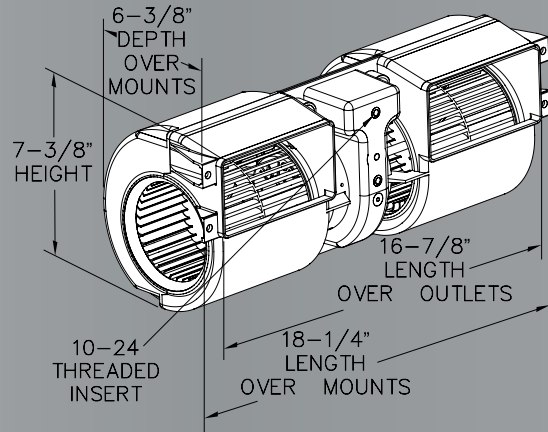
UNIVERSAL DUAL BLOWER



**Model # BH1600
(TEC2007)**

FEATURES

- High Performance Air Movement
- Dual Scroll
- Heavy-Duty Long Life Permanent Magnet Motor
- Supplied with 10-24 Mounting Clips (4) and Insert



$7\frac{3}{8}''$ H x $16\frac{7}{8}''$ L x $6\frac{3}{8}''$ D

BH1600 SPECIFICATIONS

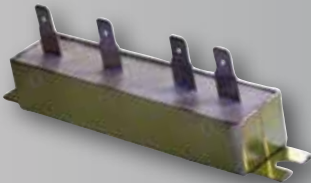
PART #	AIR FLOW	POWERREQUIREMENTS	CASE MATERIAL	WHEEL MATERIAL	MOTOR
TA0050026M	822 CFM	19.9 Amps @ 13.5V	Glass-Filled Nylon	Glass-Filled Nylon	Permanent Magnet

RESISTORS



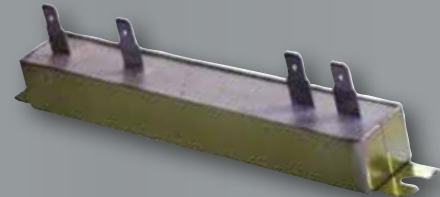
TA7000037

3.75" – 3 Terminal Resistor
Speed control of Permanent Magnet Motors. Must be mounted on metal surface in well vented area.



TA7000039

3.75" – 4 Terminal Resistor
Speed control of Permanent Magnet Motors. Must be mounted on metal surface in well vented area.



TA7000040

5.5" – 4 Terminal Resistor
Speed control of Permanent Magnet Motors. Must be mounted on metal surface in well vented area.

PART # INDEX



PART #	MODEL #/DESCRIPTION	PG	PART #	MODEL #/DESCRIPTION	PG	PART #	MODEL #/DESCRIPTION	PG
1340-1	4" x 1.5" Air/Temp Switch Plate	15	F-804812	12V 8000 Series Dash Fan (2-Speed)	25	MFA136	Fan Controller w/Temperature Sensor	18
1660-1	2" x 4" Air Switch Plate	15	F-804824	24V 8000 Series Dash Fan (2-Speed)	25	MJJ150	Portable Air Pump	26
1663	5/8" & 3/4" x 5" "Y" Water Hose Connector	17	F-824812	12V 8000 Series Dash Fan (2 Speed)	25	MM-A1090002	12V 9" "Stoker" w/Two - 3" Outlets	10
1705-1	1.5" Diameter Rear Unit Switch Plate	15	F-824824	24V 8000 Series Dash Fan (2 Speed)	25	MM-A1090004	12V 9" "Stoker" w/Flanged Grille Face	11
1706-HS	1.5" Diameter Rear Unit Switch Plate	15	F-920612	12V 9000 Series Dash Fan	25	MM-A1090006	12V 9" "Stoker" w/Three - 2" Outlets	9
1892	2.5" "Y" Connector	17	F-920624	24V 9000 Series Dash Fan	25	MM-A1090009	12V 9" "Stoker" w/Grille Face	10
1906	5/8" & 3/4" x 4" "Y" Water Hose Connector	17	F-924512	12V 9000 Series Dash Fan	25	MM-A1090013	12V 9" Metal "Stoker" w/Three - 2" Outlets	11
2059	5/8" & 3/4" x 3.5" "Y" Water Hose Splice	17	F-924524	24V 9000 Series Dash Fan	25	MM-A1160004	12V 16" "Stoker" w/Flanged Grille Face	13
2063	21.6" x 2" Defrost Chute Deflector	16	H-400012	12V Santa Fe Floor Mount Heater	7	MM-A1160005	12V 16" "Stoker" w/Three - 3" Outlets	12
2223	2.75" x 12" Air Return Grille	17	H-400024	24V Santa Fe Floor Mount Heater	7	MM-A1160006	12V 16" "Stoker" w/Four - 3" Outlets	12
2241	5" x 6" Air Return Grille	17	H-410212	12V Mesa Floor Mount Heater	6	MM-B1090002	12V 9" "Stoker" w/Two - 3" Outlets	10
2453	7" x 1.5" Defrost Chute Grille	16	H-410312	12V Mesa Wall Mount Heater	6	MM-B1090004	24V 9" "Stoker" w/Flanged Grille Face	11
2454	7.25" x 1" Defrost Chute w/2.5" Hose End	16	H-503012	12V The Heat 5000 Wall/Floor Mount Heater	8	MM-B1160004	24V 16" "Stoker" w/Flanged Grille Face	13
2454-1	7.25" x 1" Defrost Chute w/2" Hose End	16	H-503024	24V The Heat 5000 Wall/Floor Mount Heater	8	MM-B1160005	24V 16" "Stoker" w/Three - 3" Outlets	12
2505	4" Dome Louver w/2.5" Hose Adapter	16	H-511012	12V Tucson Wall/Floor Mount Heater	8	MM-B1160006	24V 16" "Stoker" w/Four - 3" Outlets	12
6401856E	TEC2003 - 12V Universal Single Scroll Blower	27	H-511024	24V Tucson Wall/Floor Mount Heater	8	MP089K	Pacesetter 8" 90W Reversible S-Blade Fan	19
BH1008-1	BH1008 - 12V Dual Blower w/3-Speed Resistor	31	H-5670004	Switch Kit w/Wire Harness (3-Speed Motor)	15	MP099K	Pacesetter 9" 90W Reversible S-Blade Fan	19
BH1008-7	BH1008 - 12V Blower w/o Resistor	31	H-5670005	Switch Kit w/Wire Harness (3-Speed Motor)	15	MP109K	Pacesetter 10" 90W Reversible S-Blade Fan	19
BH1008-14	BH1008 - 12V Blower w/4-Speed Resistor	31	H-5670014	Switch Kit	15	MP119K	Pacesetter 11" 90W Reversible S-Blade Fan	19
BH1300-49	TEC2005 - 12V Universal Dual Blower	29	H-64006	KT-12 Heater Plumbing Kit	4	MP126K-6	Pacesetter 12" 160W Reversible Straight Blade Fan (6 Volt)	19
BH1400-88-02	BH1400 - 12V Dual Blower w/3-Speed Resistor	30	H-803012	12V Phoenix Wall/Floor Mount Heater	9	MP136K	Pacesetter 13" 160W Reversible S-Blade Fan	19
BH1400-89-01	BH1400 - 12V Dual Blower w/4-Speed Resistor	30	H-803024	24V Phoenix Wall/Floor Mount Heater	9	MP146K-6	Pacesetter 14" 160W Reversible Straight Blade Fan (6 Volt)	19
F-004412-3W	12V Track Mount Dash Fan	22	HF-100012	12V Durango Dash Mount Heater	4	MP162K	Pacesetter 16" 225W Reversible S-Blade Fan	19
F-004424-3W	24V Track Mount Dash Fan	22	HF-100024E	24V Moab Dash Mount Elec. Heater w/2 Lvrs.	13	MP166K	Pacesetter 16" 160W Reversible S-Blade Fan	19
F-100012	12V 1000 Series Dash Fan	22	HF-100048E	48V Moab Dash Mount Elec. Heater w/2 Lvrs.	13	MP166K-6	Pacesetter 16" 160W Reversible Straight Blade Fan (6 Volt)	19
F-100024	24V 1000 Series Dash Fan	22	HF-100124E	24V Moab Dash Mount Elec. Heater w/2 Oilt.	13	TA0000005	TEC2005 - 12V Universal Dual Blower	29
F-100036	36V 1000 Series Dash Fan	22	HF-100148E	48V Moab Dash Mount Elec. Heater w/2 Oilt.	13	TA0040001	Magnum II - 12V Dual Blower w/o Resistor	31
F-200112	12V 2000 Series Dash Fan	23	HF-200012	12V Havasu Dash Mount Heater	4	TA0050026M	BH1600 - 12V Dual Blower w/o Resistor	32
F-200112MS	12V 2000 Series Dash Fan	23	HF-300012	12V Sedona Wall/Floor Mount Heater	5	TA0130014	TEC2009 - 12V Universal Single Blower	28
F-200124	24V 2000 Series Dash Fan	23	HF-310012	12V Sonora Wall/Floor Mount Heater	5	TA1000011	TEC2005 - 12V Universal Dual Blower	29
F-200124MS	24V 2000 Series Dash Fan	23	M059K	Champion 5" 130W Puller Only S-Blade Fan	20	TA1000021*	TEC2005 - 12V Universal Dual Blower	29
F-200412	12V 2000 Series Dash Fan	23	M073K	Champion 7" 130W Reversible S-Blade Fan	20	TA1000022	TEC2005 - 12V Universal Dual Blower	28
F-200412UG	12V 2000 Series Dash Fan	23	M083K	Champion 8" 130W Reversible S-Blade Fan	20	TA1160004	TEC2009 - 12V Universal Single Blower	27
F-200424	24V 2000 Series Dash Fan	23	M093K	Champion 9" 130W Reversible S-Blade Fan	20	TA1160007	TEC2009 - 12V Universal Single Blower	27
F-200424UG	24V 2000 Series Dash Fan	23	M103K	Champion 10" 130W Reversible S-Blade Fan	20	TA7000037	3.75" - 3 Terminal Resistor	32
F-200512	12V 2000 Series Dash Fan	23	M113K	Champion 11" 130W Reversible S-Blade Fan	20	TA7000039	3.75" - 4 Terminal Resistor	32
F-200524	24V 2000 Series Dash Fan	23	M122K	Champion 12" 225W Reversible S-Blade Fan	20	TA7000040	5.5" - 4 Terminal Resistor	32
F-300012	12V 3000 Series Dash Fan (1-Speed)	23	M123K	Champion 12" 130W Reversible S-Blade Fan	20	TA7000078	Switch Kit	15
F-300012UG	12V 3000 Series Dash Fan (1-Speed)	23	M142K	Champion 14" 225W Reversible S-Blade Fan	20	TA8000258	UltraGuard® Dash Fan Guard	21
F-300024	24V 3000 Series Dash Fan (1-Speed)	23	M146K	Champion 14" 160W Reversible S-Blade Fan	20	TA8000448	3" "Y" Connector	17
F-300024UG	24V 3000 Series Dash Fan (1-Speed)	23	M162K	Champion 16" 225W Reversible S-Blade Fan	20	TA8000466	Heater Plumbing Kit	14
F-300036	36V 3000 Series Dash Fan (1-Speed)	23	M166K	Champion 16" 160W Reversible S-Blade Fan	20	TA8000505	Ø4" x 10.45" Heater Tube w/Grille Face	17
F-300412	12V 3000 Series Dash Fan (1-Speed)	23	M-53010	3000 Series Dash Fan Base (Black Only)	21	TA8000506	Ø4" x 10.45" Heater Tube w/Adjustable Louver	17
F-300424	24V 3000 Series Dash Fan (1-Speed)	23	M-53011	2000 Series Dash Fan Base (Black)	21	TA8000689	Engine Plumbing Kit	14
F-310012	12V 3000 Series Dash Fan (1-Speed)	23	M-53025	Rheostat Switch	21	TA8000881	Plastic Dash Fan Guard w/Aluminum Blade	21
F-310024	24V 3000 Series Dash Fan (1-Speed)	23	M-53030	Aluminum 6.5" CCW Blade	21	TA8000885	Plastic Dash Fan Guard w/Black Blade	21
F-310036	36V 3000 Series Dash Fan (1-Speed)	23	M-53031	Black 6.5" CCW Blade	21	TA8001117	4000 Series Dash Fan Base	21
F-320012	12V 3000 Series Dash Fan (2-Speed)	23	M-53097	Chrome Dash Fan Guard	21	TA8001124	8000 Series Dash Fan Base	21
F-320024	24V 3000 Series Dash Fan (2-Speed)	23	M-53098	Black Dash Fan Guard	21	TA8001126	9000 Series Dash Fan Base (Short Round Base)	21
F-400312	12V 4000 Series Dash Fan	24	M-53099-G1	Two-Speed Toggle Switch	21	TA8001492	Ø4" x 10.45" Heater Tube w/Triple Vane Louver	17
F-400324	24V 4000 Series Dash Fan	24	M-53099-G2	One-Speed Toggle Switch	21	TA8001549	Ø2.79" x 10.25" Heater Tube w/Triple Vane Louver	17
F-404412	12V 4000 Series Dash Fan	24	M-62024	Heater Hose 25'	14	TAS000009	12V Soft Blade Series Dash Fan	26
F-404424	24V 4000 Series Dash Fan	24	MFA100	Harness w/Adjustable Temperature Relay	18	TAS000010	12V Soft Blade Series Dash Fan	26
F-404512	12V 4000 Series Dash Fan	24	MFA100-6	Harness w/Adjustable Temperature Relay (6V)	18	TAS000011	12V Soft Blade Series Dash Fan	26
F-404524	24V 4000 Series Dash Fan	24	MFA101	AC Harness w/Relay	18	TAS000012	12V Soft Blade Series Dash Fan	26
F-420312	12V 4000 Series Dash Fan	24	MFA102	Harness w/Engine Temperature Relay	18	TAS000013	12V Soft Blade Series Dash Fan	26
F-420324	24V 4000 Series Dash Fan	24	MFA103	Harness w/Engine Temperature Relay	18	TAS000014	12V Soft Blade Series Dash Fan	26
F-424412	12V 4000 Series Dash Fan	24	MFA104	Metal Universal Bracket Strips	18	TAS000015	12V Soft Blade Series Dash Fan	26
F-424424	24V 4000 Series Dash Fan	24	MFA105	Billet Aluminum Universal Fan Brackets	18	TAS000016	12V Soft Blade Series Dash Fan	26
F-424512	12V 4000 Series Dash Fan	24	MFA108	185° Temperature Switch	18	TB1160003	TEC2009 - 24V Universal Single Blower	27
F-424524	24V 4000 Series Dash Fan	24	MFA109	195° Temperature Switch	18	TBS000009	24V Soft Blade Series Dash Fan	26
F-4670176	12V 3000 Series Dash Fan (2-Speed)	23	MFA126	Defrost Kit (Tucson & Phoenix Heaters)	16	TBS000010	24V Soft Blade Series Dash Fan	26
F-4670176MS	12V 3000 Series Dash Fan (2-Speed)	23	MFA127	Louver Kit (Tucson & Phoenix Heaters)	16	TBS000011	24V Soft Blade Series Dash Fan	26
F-4670176UG	12V 3000 Series Dash Fan (2-Speed)	23	MFA128	Defrost Kit (Stoker Heaters)	16	TBS000012	24V Soft Blade Series Dash Fan	26
F-4670177	24V 3000 Series Dash Fan (2-Speed)	23	MFA129	Engine Plumbing Kit	14	TBS000013	24V Soft Blade Series Dash Fan	26
F-4670177MS	24V 3000 Series Dash Fan (2-Speed)	23	MFA130	Louver Kit (Stoker Heaters)	16	TBS000014	24V Soft Blade Series Dash Fan	26
F-4670177UG	24V 3000 Series Dash Fan (2-Speed)	23	MFA132	Mounting Bracket for Santa Fe Heater	7	TBS000015	24V Soft Blade Series Dash Fan	26
F-4670179	36V 3000 Series Dash Fan (2-Speed)	23	MFA133	3-Position Heater Switch	15	TBS000016	24V Soft Blade Series Dash Fan	26
F-4670179MS	36V 3000 Series Dash Fan (2-Speed)	23	MFA134	4-Position Heater Switch	15			
F-4670179UG	36V 3000 Series Dash Fan (2-Speed)	23	MFA135	Inline Water Control Valve	15			

* Marine version w/non-vented motor Tested to SAE J1171, Ignition Proof ISO 8846 and ISO 9097. For use in marine heaters.

SERVICE PARTS



MOTORS

PART #	DESCRIPTION	WHERE USED
D-001-621	12V Motor, 3 Speed, CCW (621)	H-6670004 / H-6670006
D-001-622	24V Motor, 3 Speed, CCW (622)	H-6670005 / H-6670007
D-001-484A	12V Motor, 1 Speed, CCW-Fan (484A)	H-600012 / H-610012
D-001-484-R	12V Motor, w/Rev Studs-Heater (484A-R/S)	H-500012 / H-5100125
D-001-485C	24V Motor, 1 Speed, CCW-Fan (485C)	H-600024
D-001-485C-R	24V Motor, w/Rev Studs-Heater (485C-R/S)	H-500024
D-001-486A	36V Motor, 1 Speed, CCW-Fan (486A)	H-900036
D-001-498D	12V Motor, 2 Speed, CCW (498D)	Replacement
D-001-631	24V Motor, 2 Speed, CCW (631)	Replacement
D-001-503A	12V Motor, 1 Speed, CCW (503A)	H-650012 / H-800012 / H-900012
D-001-504A	24V Motor, 1 Speed, CCW (504A)	H-650024 / H-800024 / H-900024
D-001-719	12V Motor, 1 Speed, Double Shaft, CCW (719)	Replacement
D-001-720	24V Motor, 1 Speed, Double Shaft, CCW (720)	Replacement
D-001-903	24V Motor, BB Double Shaft, CW (903)	H-6670018
D-001-902	12V Motor, BB Double Shaft, CW (902)	H-6670017
TA1160007	Blower Assembly	
D-001C-561	12V Motor	F-3000 Series / H-511012 / H-511012R / H-900412 / H-900612
D-001C-626-1	24V Motor	F-3000 Series / H-511024 / H-511024R / H-900424 / H-900624
D-001C-561R	12V Motor, 2 Speed, CCW	HC-400012
D-001C-561R-24	24V Motor, 2 Speed, CCW	HC-400024
TA07R2007	6.5 in., 90 Watt, PUSHER fan	HC-410212 / HC-410312
D-001C-685RS	12V Motor, 3 Speed, CCW	H-503012
D-001C-685RS-24	24V Motor, 3 Speed, CCW	H-503024
D-001C-686	12V Motor, 3 Speed, CCW	HC-503012 / H-803012
D-001C-686-24	24V Motor, 3 Speed, CCW	HC-503024 / H-803024
D-001C-686-1	12V Motor, 2 Speed, CCW	HC-511012 / HC-511012R
D-001C-686-1-24	24V Motor, 2 Speed, CCW	HC-511024 / HC-511024R
D-001C-685	12V Motor, 3 Speed, CCW	H-603012
D-001C-685-24	24V Motor, 3 Speed, CCW	H-603024

SWITCHES & KNOBS

PART #	DESCRIPTION	WHERE USED
M-53025	Rheostat Fan Switch	F-3000 Series
M-53057	3 Speed Resistor Switch & Bracket	H-500012 / H-800012
M-53057-HV	3 Speed Resistor Switch & Bracket	H-500024 / H-800024
M-53058	Standard Fan Assembly Kit	F-3000 Series / H-600012
M-53062	Switch Kit	F-3000 Series / H-600012
M-53099-G1	Mini SPDT Fan Switch w/Plate ECN	F-2000 Series / F-3000 Series
M-61377	Water Valve Cable	Replacement
M-61386	DPDT Toggle Switch	H-9000 Series
M-62321-G1	Blower Switch	H-5670014 Switch Kit / H-5670004 Switch Kit w/Wire Harness
M-64088-G1	Knob	Replacement
TA7000112	2 Position Rocker Switch	HC-400012 / HC-400024
H-5670014	KIT-3 SPD Switch	H-503012 / HC-503012 / H-503024 / HC-503024 / H-803012 / H-803024
M-68086A	3 Position Rocker Switch	HC-511012 / HC-511012R / HC-511024 / HC-511024R
M-53062HV	Heater Bag Assembly Less Mounting Nuts 24/36V	H-600024 / H-603012 / H-603024

COILS

PART #	DESCRIPTION	WHERE USED
M-61315	Tube & Fin Coil	H-5000 Series
M-61316	Ribbon Cell Coil	H-6670006 & H-6670007
M-61380	Tube & Fin Coil	H-9000 Series
M-61515	Tube & Fin Coil	H-6030 (H-6000) Series
M-61522	Tube & Fin Coil	H-6500 Series
M-61819-G1	Ribbon Cell Coil	H-6670004 & H-6670005
M-62015	Tube & Fin Coil	H-8030 (H-8000) Series
TA8000518	Tube & Fin Coil	9 in. MM-A Series / MM-B Series
TA8000437	Tube & Fin Coil	16 in. MM-A Series / MM-B Series
TA8000767	Tube & Fin Coil	HC-400012 / HC-400024
TA8000833	Tube & Fin Coil	HC-410212 / HC-410312
TA8000720	Tube & Fin Coil	HC-503012 / HC-503024 / HC-511012 / HC-511012R / HC-511024 / HC-511024R

SERVICE PARTS



FAN GUARDS

PART #	DESCRIPTION	WHERE USED
M-53097	Chrome Fan Guard Assembly	F-2000 Series - F-8000 Series / F-667 Series
M-53098	Black Fan Guard Assembly	F-2000 Series / F-3000 Series / F-7000 Series
M-61530	Fan Guard	H-6030 (H-6000) Series
TA8000258	UltraGard®	F-2000 Series / F-3000 Series
TA8000881	Plastic Fan Guard w/Aluminum Blade	F-2000 Series / F-3000 Series / F-7000 Series
TA8000885	Plastic Fan Guard w/Black Blade	F-2000 Series / F-3000 Series / F-7000 Series

FAN BLADES

PART #	DESCRIPTION	WHERE USED
M-53030	6.5 in. Fan Blade, CCW, 1/4 in. Shaft	F-2000 Series / F-3000 Series / F-667 Series
M-53031	6.5 in. Fan Blade, CCW, 1/4 in. Shaft	F-2000 Series / F-467 Series
M-53032	6.5 in. Fan Blade, PV, CW, 1/4 in. Shaft	H-6500 Series
M-60000-G2	6 in. Fan Blade, CCW, 1/4 in. Shaft	H-6670004 / H-6670006
M-60002-G2	6 in. Fan Blade, CW, 1/4 in. Shaft	Replacement
M-60590-G3	7 in. Fan Blade, CCW, 1/4 in. Shaft	Replacement
M-61319	6 in. Fan Blade, CW, 1/4 in. Shaft	H-5000 Series
M-61320	6.5 in. Fan Blade CW, 1/4 in. T Shaft	H-6030 (H-6000) Series
M-61385	6 in. Fan Blade, CCW, 1/4 in. Shaft	H-9000 Series
M-62020	7 in. Fan Blade, CW, 1/4 in. Shaft	Replacement
M-66260-G1	6 in. Fan Blade, 1/4 in. Shaft	H-6670005 / H-6670007
M-62951-G1	8 in. Fan Blade x .312 in.	Replacement
TA9001515	6.5 in. CW fan blade	HC-503012 / HC-503024 / HC-511012 / HC-511012R / HC-511024 / HC-511024R

FAN BASES

PART #	DESCRIPTION	WHERE USED
M-53011	Round 3 Hole Mounting Fan Base Assembly	F-2000 Series (Black or Chrome)
M-53010	Square 4 Hole Mounting Fan Base Assembly	F-3000 Series (Black Only)
M-53009B / M-53009	Crescent 4 Hole Mounting Fan Base Assembly	F-4000 Series (Black or Chrome)
M-53012B / M-53012	Flat 4 Hole Mounting Fan Base Assembly	F-5000 Series (Black or Zinc Plated)
M-53013	Flat 4 Hole Mounting Fan Base Assembly	F-6000 Series (Zinc Plated Only)
M-53014B / M-53014	Square 4 Hole Mounting Fan Base Assembly	F-7000 Series (Black or Zinc Plated)
M-53017B	Round 4 Hole Mounting Fan Base Assembly	F-8000 Series (Black Only)

CENTRIFUGAL BLOWERS

PART #	DESCRIPTION	WHERE USED
TA1160004	Single Scroll Blower	9 in. Stoker Heaters (non-marine)
TA1160007*	Single Scroll Blower	9 in. Stoker Heaters (marine)
TA1000011	Dual Scroll Blower	16 in. Stoker Heaters (non-marine)
TA1000021*	Dual Scroll Blower	16 in. Stoker Heaters (marine)

MISCELLANEOUS PARTS

PART #	DESCRIPTION	WHERE USED
1490-M	Blower Wheel (700BX)	H-6670017 & H-6670018
2381-A-19	4 in. O.D. 3 in. I.D. Global Louver	HC-400012 / HC-400024
M-61287-G2	Gasket	H-6670017 & H-6670018
M-61312	Front Cover 5000 Heater	H-5000 Series
M-61322	Cap Plug Heater	H-5000 / H-8000 Series
M-61381	Cover Assembly	H-9000 Series w/o Studs
M-61382	Casing Assembly	H-9000 Series
M-61580-G1-1	Motor Mtg	Replacement
M-62017	3/8 in. MPT x 5/8 in. HB Water Valve Shut Off	H-64006 Heater Plumbing Kit
M-62018	5/8 in. Water Hose Connector	H-64006 Heater Plumbing Kit
M-62019	1/2 in. x 3/8 in. Bushing	H-64006 Heater Plumbing Kit
M-62022	Hose Clamp	H-6500 Series / H-64006 Heater Plumbing Kit
M-63258-G1	Louver	Replacement



MARADYNE

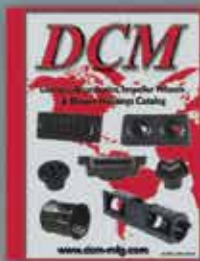
MOBILE PRODUCTS



HEATERS • BLOWERS • DASH MOUNT FANS • MOTORS • SERVICE PARTS



Our Other Product Line Catalogs



4340 W. 169th Street • Cleveland, OH 44135 • Ph: (216) 265-8696 • Fax: (216) 382-6342

www.maradynemobile.com